



## 7 Ft. Peak Walkarounds

### Models:

WBS-1026

(12 FT – 27 FT BINS)

Installation Manual

**PNEG-2038**

**Version 1.0**

**Date: 12-21-15**



PNEG-2038

---

**All information, illustrations, photos, and specifications in this manual are based on the latest information available at the time of publication. The right is reserved to make changes at any time without notice.**

---

# Contents

<b>Chapter 1</b>	<b>Safety Information</b> .....	<b>5</b>
	Safety Guidelines .....	5
	Cautionary Symbol Definitions.....	6
	Safety Precautions .....	7
	Safety Sign-off Sheet.....	10
<b>Chapter 2</b>	<b>Installing the 7 Ft. Peak Walkaround</b> .....	<b>11</b>
	7 Ft. Peak Walkaround Part List (WBS-1026) .....	11
	Installing the 7 Ft. Peak Walkaround .....	12
	<b>GSI Group, LLC Limited Warranty</b> .....	<b>25</b>

---

# NOTES

# 1 Safety Information

## Topics Covered in this Chapter

- Safety Guidelines
- Cautionary Symbol Definitions
- Safety Precautions
- Safety Sign-off Sheet

## Safety Guidelines

Safety guidelines are general-to-specific safety rules that must be followed at all times. This manual is written to help you understand safe operating procedures and problems that can be encountered by the operator and other personnel when using this equipment. Save these safety guidelines for future reference.

As owner or operator, you are responsible for understanding the requirements, hazards, and precautions that exist and to inform others as required. Unqualified persons must stay out of the work area at all times.

Alterations must not be made to the equipment. Alterations can produce dangerous situations resulting in **SERIOUS INJURY** or **DEATH**.

This equipment must be installed in accordance with the current installation codes and applicable regulations, which must be carefully followed in all cases. Authorities having jurisdiction must be consulted before installations are made.

When necessary, you must consider the installation location relative to electrical, fuel and water utilities.








Personnel operating or working around equipment must read this manual. This manual must be delivered with equipment to its owner. Failure to read this manual and its safety instructions is a misuse of the equipment.

ST-0001-3

## Cautionary Symbol Definitions

Cautionary symbols appear in this manual and on product decals. The symbols alert the user of potential safety hazards, prohibited activities and mandatory actions. To help you recognize this information, we use the symbols that are defined below.

**Table 1-1** Description of the different cautionary symbols

Symbol	Description
	This symbol indicates an imminently hazardous situation which, if not avoided, <b>will result in serious injury or death.</b>
	This symbol indicates a potentially hazardous situation which, if not avoided, <b>can result in serious injury or death.</b>
	This symbol indicates a potentially hazardous situation which, if not avoided, <b>can result in minor or moderate injury.</b>
	This symbol is used to address practices not related to personal injury.
	This symbol indicates a general hazard.
	This symbol indicates a prohibited activity.
	This symbol indicates a mandatory action.

ST-0005-2

## Safety Precautions

### Use Personal Protective Equipment

- Use appropriate personal protective equipment:

**Eye Protection**



**Respiratory Protection**



**Foot Protection**



**Hearing Protection**



**Head Protection**



**Fall Protection**



**Hand Protection**



- Wear clothing appropriate to the job.
- Remove all jewelry.
- Tie long hair up and back.

ST-0004-1

### Follow Safety Instructions

- Carefully read all safety messages in this manual and safety signs on your machine. Keep signs in good condition. Replace missing or damaged safety signs. Be sure new equipment components and repair parts include the current safety signs. Replacement safety signs are available from the manufacturer.
- Learn how to operate the machine and how to use controls properly. Do not let anyone operate without instruction.
- If you do not understand any part of this manual or need assistance, contact your dealer.



ST-0002-1

## Chapter 1: Safety Information

### Maintain Equipment and Work Area

- Understand service procedures before doing work. Keep area clean and dry.
- Never service equipment while it is operating. Keep hands, feet, and clothing away from moving parts.
- Keep your equipment in proper working condition. Replace worn or broken parts immediately.



ST-0003-1

### Sharp Edge Hazard

- This product has sharp edges, which can cause serious injury.
- To avoid injury, handle sharp edges with caution and always use proper protective clothing and equipment.



ST-0036-2

### Stay Clear of Hoisted Equipment

- Always use proper lifting or hoisting equipment when assembling or disassembling equipment
- Do not walk or stand under hoisted equipment.
- Always use sturdy and stable supports when needed for installation. Not following these safety precautions creates the risk of falling equipment, which can crush personnel and cause serious injury or death.



ST-0047-1



### Fall Hazard

- Ladders, stairways and platforms are for use by competent and trained personnel only. Do not allow children or other unauthorized persons to have access to the equipment.
- Access to the equipment must be restricted by the use of security fencing and lockable gates.
- Lower sections of ladders must be fitted with a lockable safety gate to prevent unauthorized access.
- Make sure that hot surfaces have had adequate time to cool before working on or in the equipment.
- Lock out and tag out power supplies and fuel supplies to all equipment.
- Do not attach lifting equipment to ladders or platforms.
- Do not go outside of the safety rails provided on elevated platforms.
- Do not work at heights during high winds, rain, snow, or ice storms.



ST-0056-1



# 2 Installing the 7 Ft. Peak Walkaround

## Topics Covered in this Chapter

- 7 Ft. Peak Walkaround Part List (WBS-1026)
- Installing the 7 Ft. Peak Walkaround

## 7 Ft. Peak Walkaround Part List (WBS-1026)

Item	Part	Description	Qty.
1	WBS-0264	DECK PLATE	5
2	WBS-0263	SUPPORT ANGLE	5
3	WBS-0310	STIFFENING ANGLE	6
4	WBS-0252	TIE PLATE	6
5	WBS-0257	CORNER HANDRAIL POST	6
6	WBS-0250	HANDRAIL POST	7
7	WBS-0266	TRUSS ANGLE	10
8	WBS-0253	PEAK WALKAROUND STANDOFF	6
9	WBS-0265	TRANSITION DECK PLATE	1
10	WBS-0260	ENTRANCE SUPPORT ANGLE	1
11	WBS-0272	TRANSITION OUTSIDE SUPPORT ANGLE	2
12	WBS-0256	TRANSITION SUPPORT ANGLE	2
13	WBS-0261	STAIR TRANSITION PLATE	2
14	WBS-0319	HANDRAIL MOUNT BRACKET	15
15	WBS-0306	TOP HANDRAIL	6
16	WBS-0307	INTERMEDIATE RAIL	6
<b>Hardware</b>			
17	S-6606	BOLT, FLNGS 5/16-18 X 3/4	180
18	S-7229	SCREW, SDS 1/4 X 1	45
19	S-10267	BOLT, TRUSS 5/16-18 x 3/4 JS500	60
20	S-3611	NUT, FLNGS 5/16-18 YDP	240
21	S-10382	1-1/2" OD TUBE PLUG, BLACK PLASTIC	2
22	S-10383	1" OD TUBE PLUG, BLACK PLASTIC	2

### Installing the 7 Ft. Peak Walkaround

The 7 ft. peak walkaround is used on 12 ft. and 27 ft. diameter bins.

#### What You Should Know

Assemble the deck plates upside down for easier access to the bottom, and then flip the entire assembly over when complete. It is recommended that the assembly of the deck plates and handrail posts be completed on the ground and then hoisted to the roof to complete the handrails.

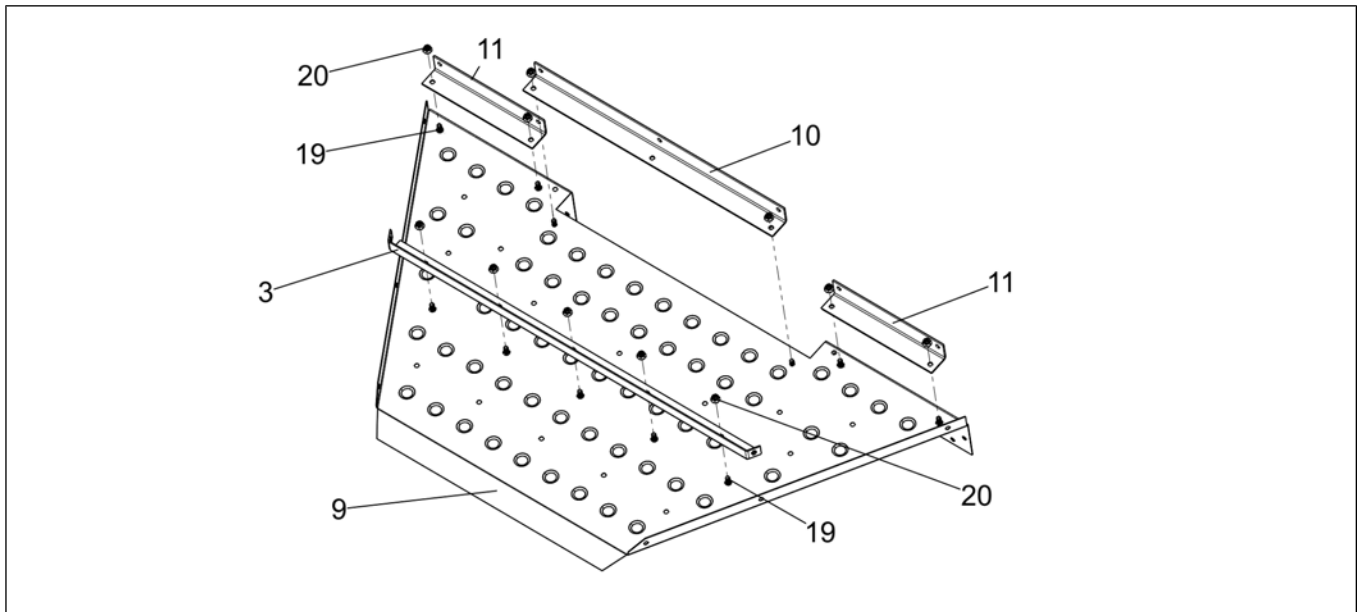


**Use proper lifting or hoisting equipment when assembling or disassembling equipment. Do not walk or stand under hoisted equipment. Falling equipment can crush personnel and cause serious injury or death.**

**NOTE:** Use truss head bolts on all walking surfaces. Make sure the bolt heads are installed on top of the surface.

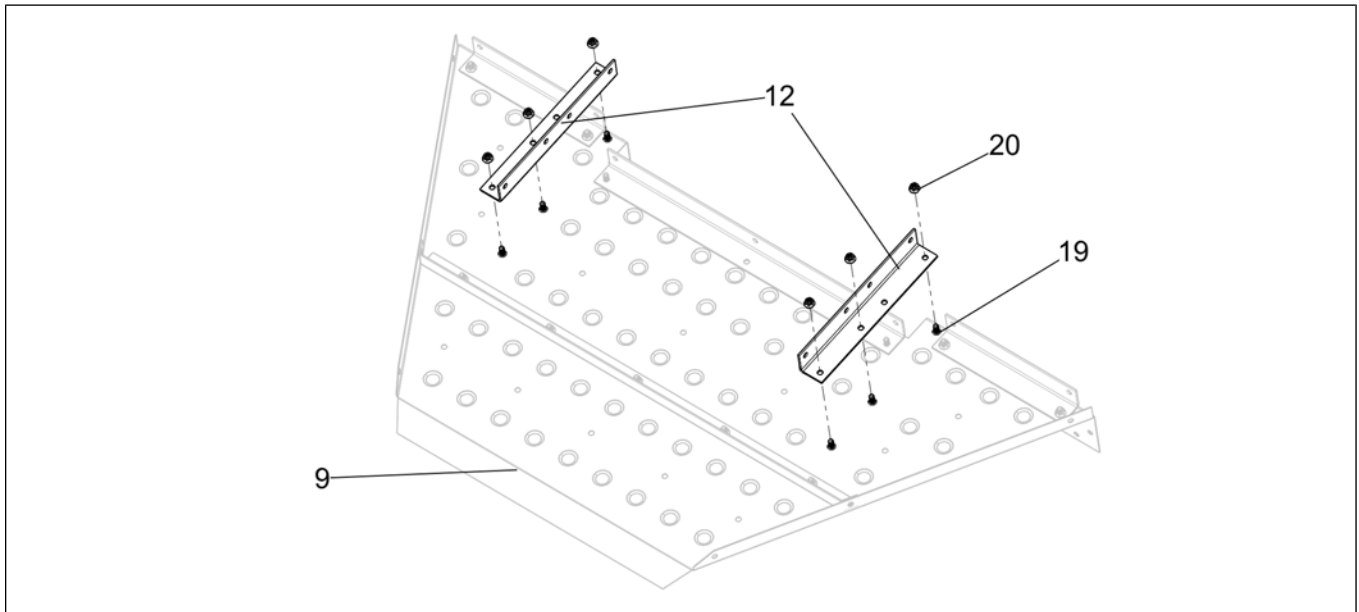
1. Install the entrance support angle (10) and the transition outside supports (11) to the transition deck plate (9) using bolts (19) and nuts (20).

**NOTE:** Make sure the bolt heads are installed on the top of the deck plate.

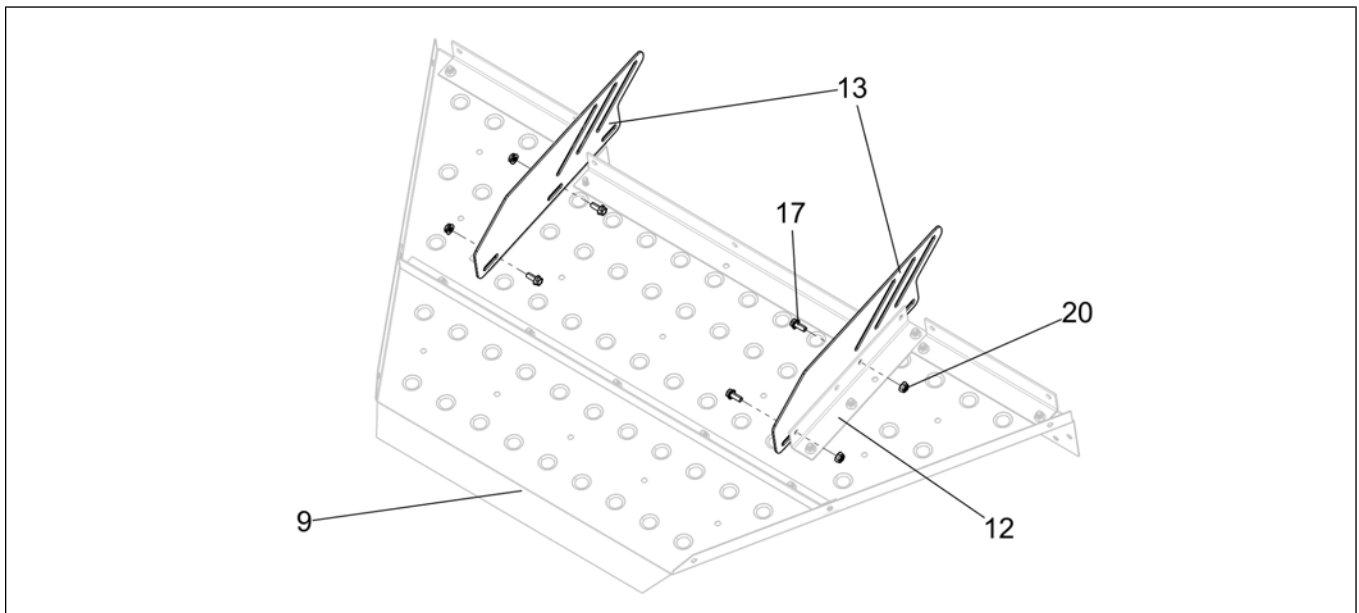


2. Install the transition support angles (12) to the transition deck plate (9) using bolts (19) and nuts (20).

**NOTE:** Make sure the bolt heads are installed on the top of the deck plate.



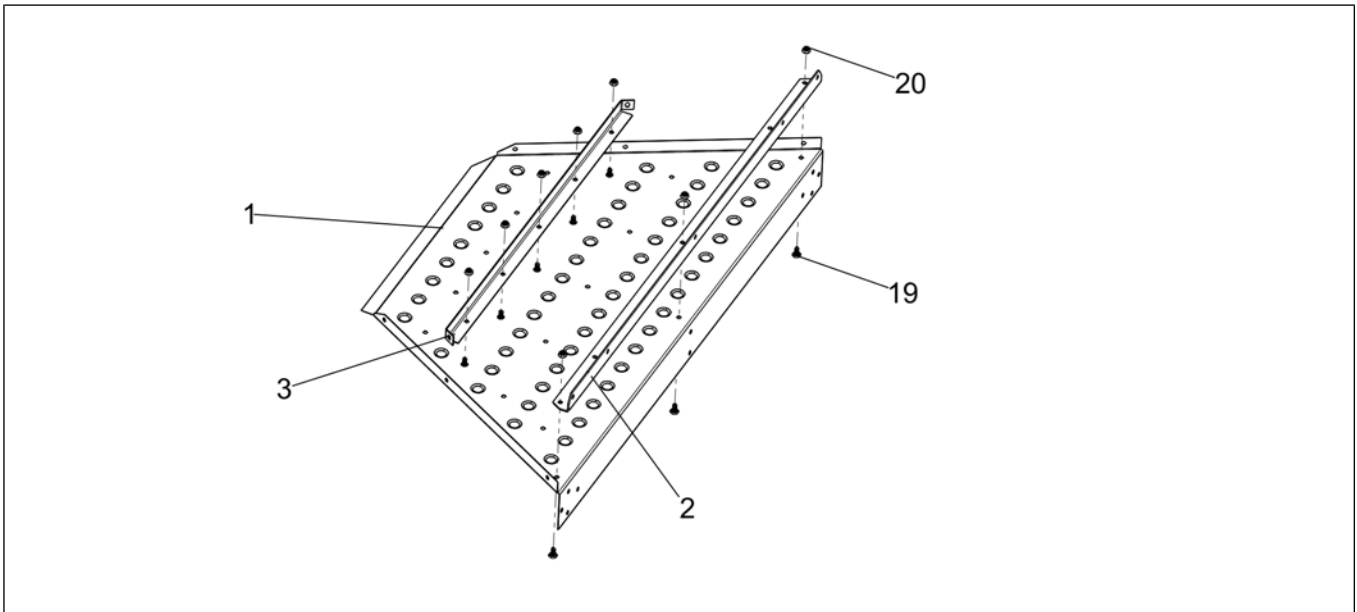
3. Install the stair transition plates (13) to the transition support angles (12) using bolts (17) and nuts (20).



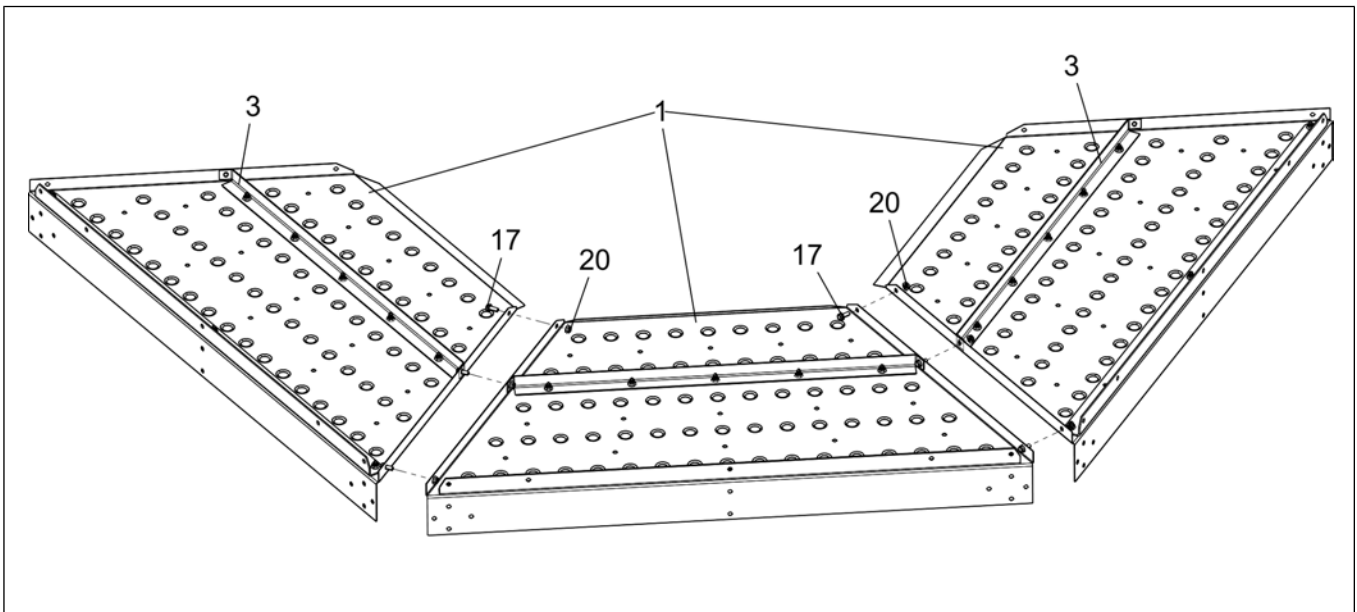
## Chapter 2: Installing the 7 Ft. Peak Walkaround

4. Install the stiffening angles (3) and the support angles (2) to the bottom side of the deck plates (1) using bolts (19) and nuts (20).

**NOTE:** Make sure the bolt heads are installed on the top of the deck plate.



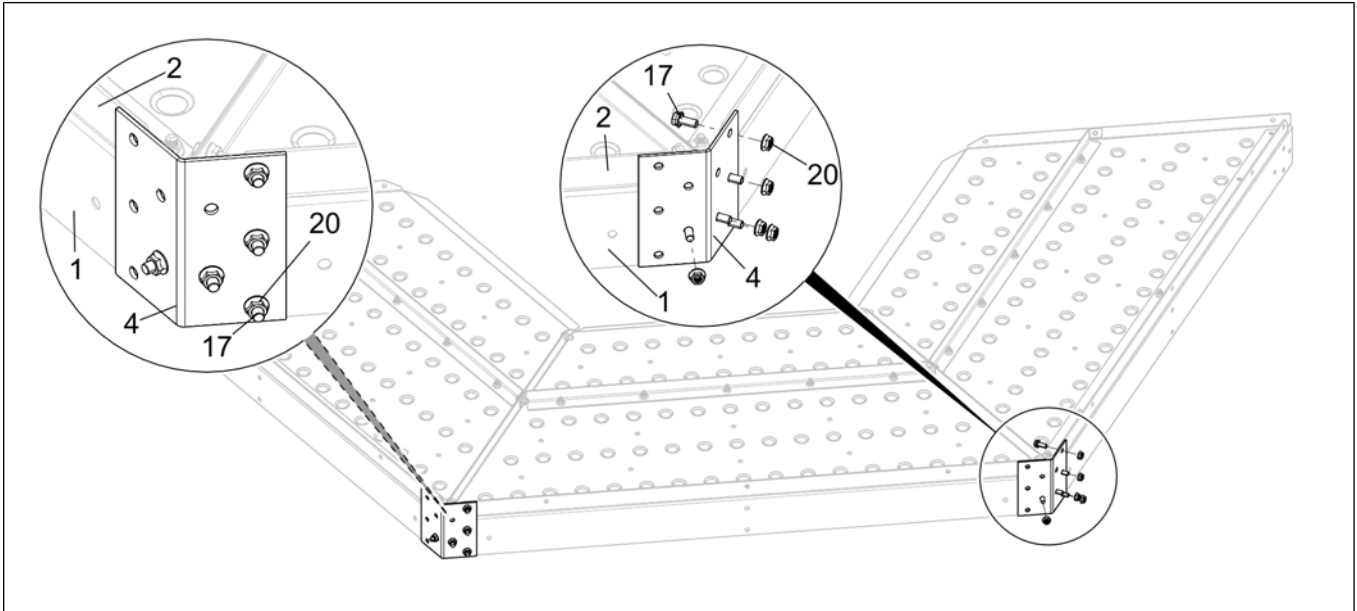
5. Align the side flanges of the the deck plates (1) and install using bolts (17) and nuts (20).



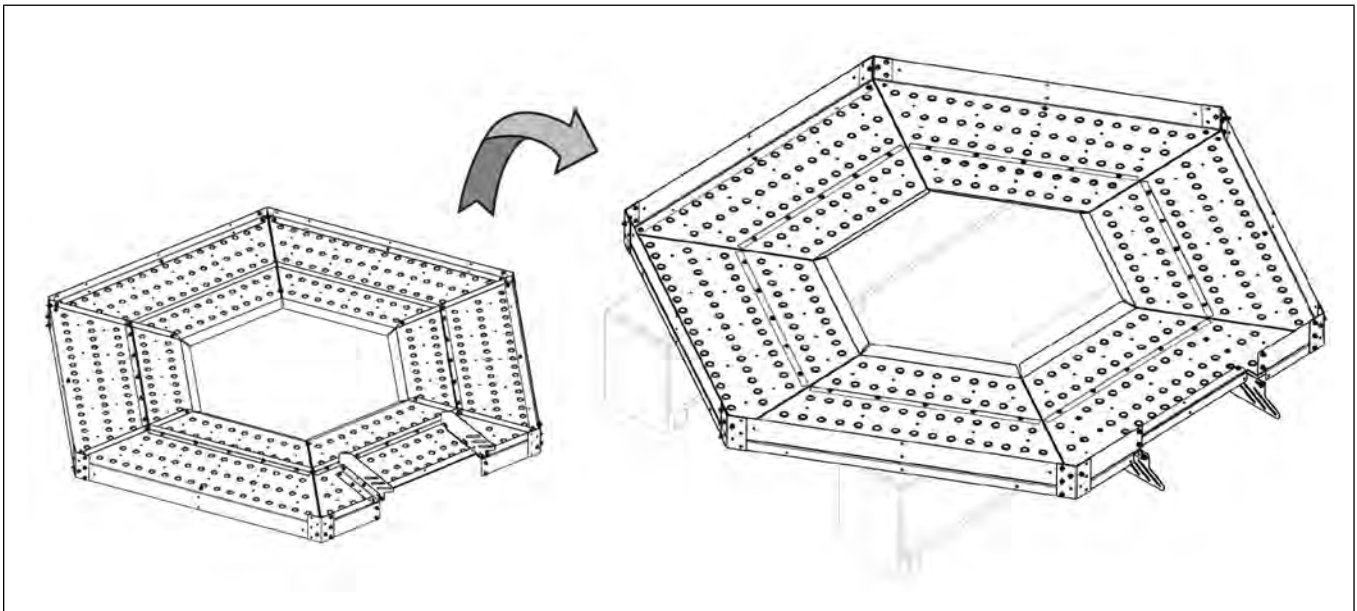
6. Install the tie angles (4) to the corners of the deck plates (1) using bolts (17) and nuts (20).

**IMPORTANT:** Make sure to leave the three holes open on the left side for the corner handrail posts.

**NOTE:** Make sure the bolt heads are installed towards the walking area.



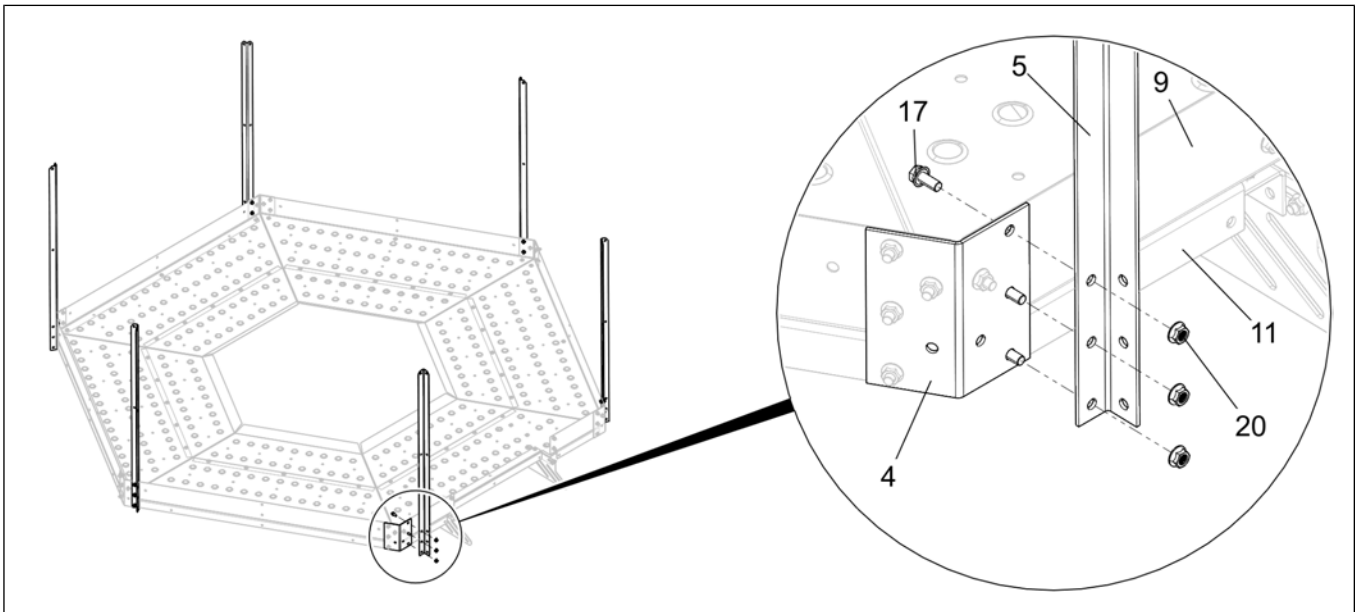
7. Flip the entire deck assembly over and place on blocking supports to allow you easy access to install the handrail posts.



## Chapter 2: Installing the 7 Ft. Peak Walkaround

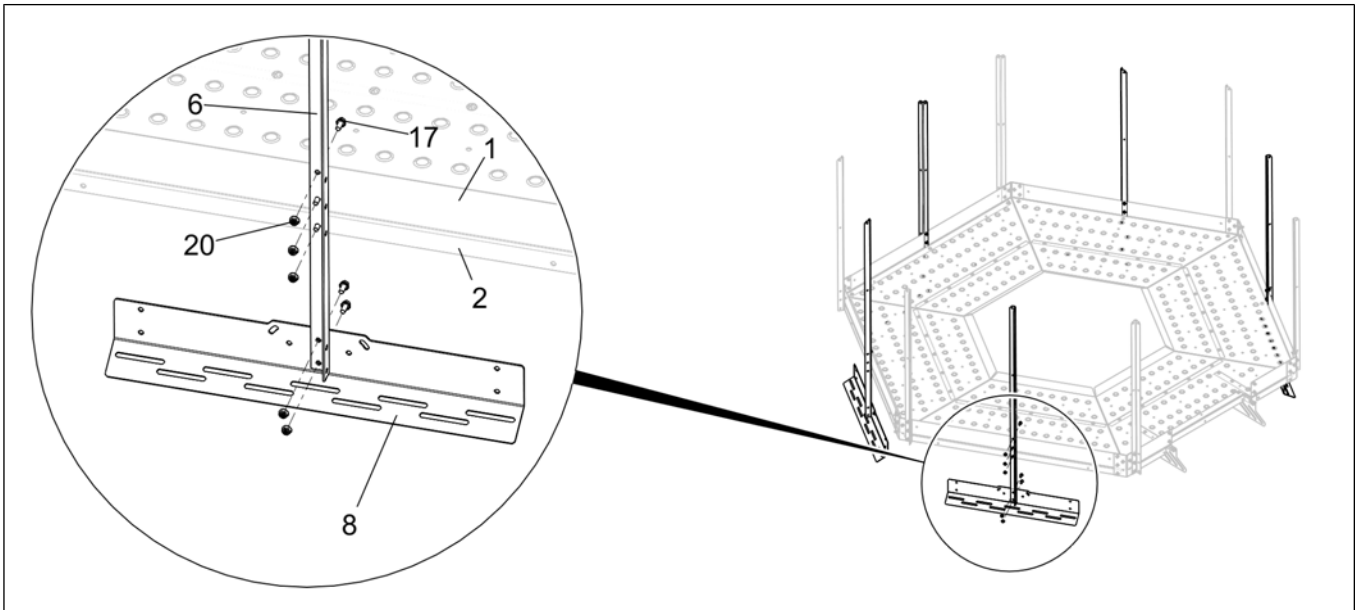
8. Install the corner handrail post (5) to the tie plate (4) and deck plate assemblies using bolts (17) and nuts (20).

**NOTE:** Make sure the bolt heads are installed towards the walking area.



9. Install the handrail posts (6) to the peak walkaround standoffs (8) and deck plate assemblies using bolts (17) and nuts (20).

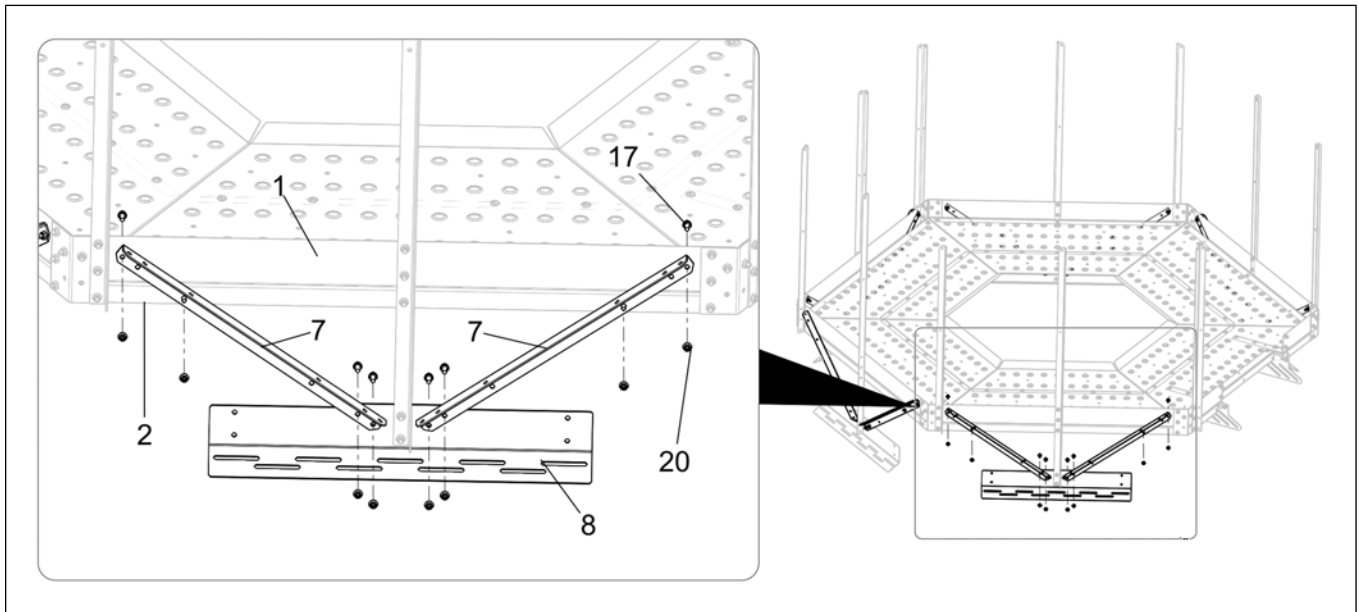
**NOTE:** Make sure the bolt heads are installed towards the walking area.





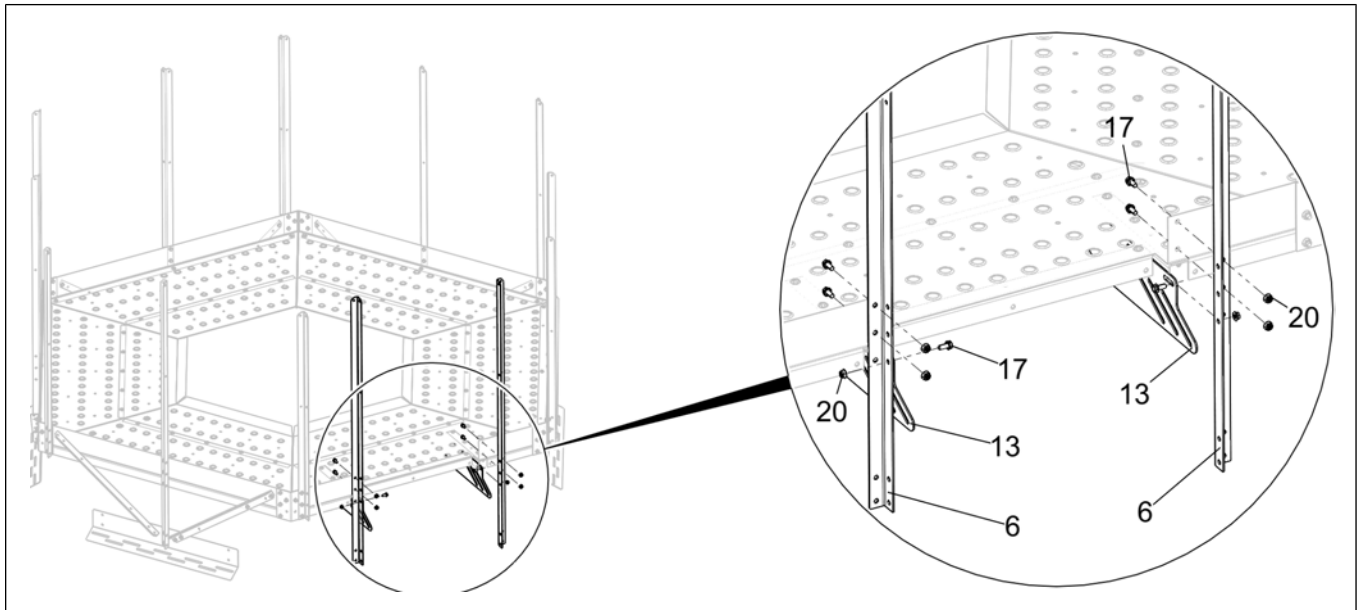
10. Install the truss angles (7) to the deck plate assemblies and the peak walkaround standoff (8) peak using bolts (17) and nuts (20).

**NOTE:** Make sure the bolt heads are installed towards the walking area.



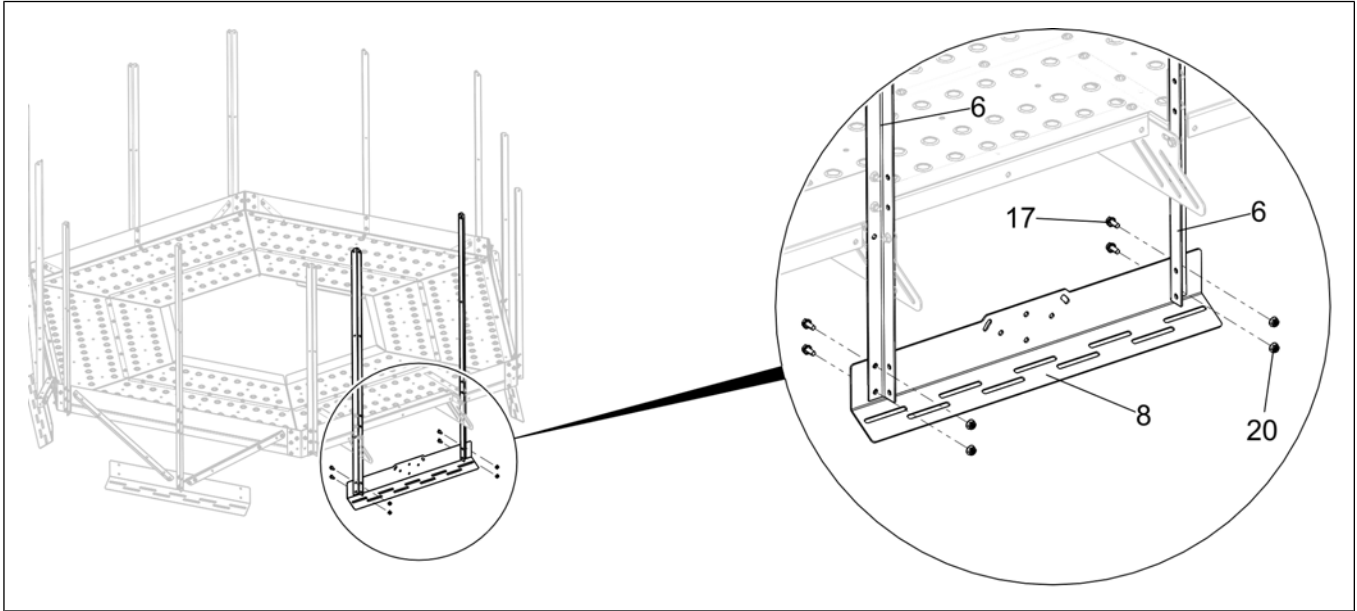
11. Install the handrail posts (6) to the stair transition plates (13) and the transition deck plate (9) using bolts (17) and nuts (20).

**NOTE:** Make sure the bolt heads are installed towards the walking area.

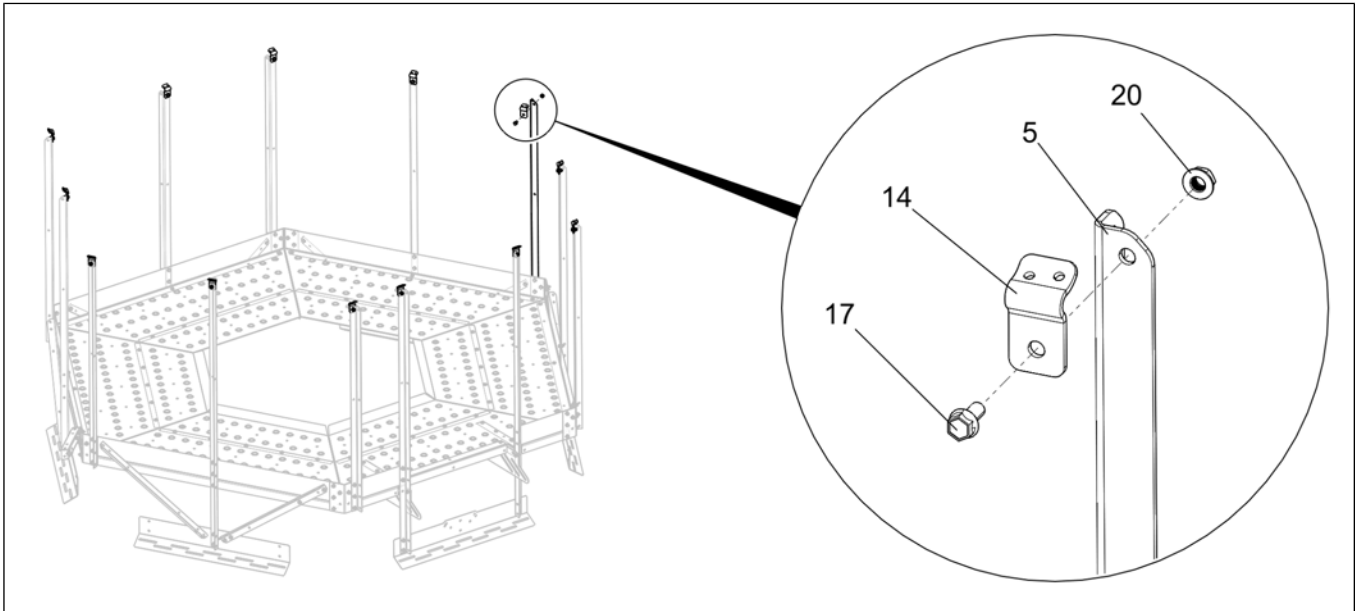


## Chapter 2: Installing the 7 Ft. Peak Walkaround

12. Install the peak walkaround standoff (8) to the handrail posts (6) using bolts (17) and nuts (20).



13. Install the handrail mount brackets (14) to the top of the handrail posts (5 and 6) using bolts (17) and nuts (20).



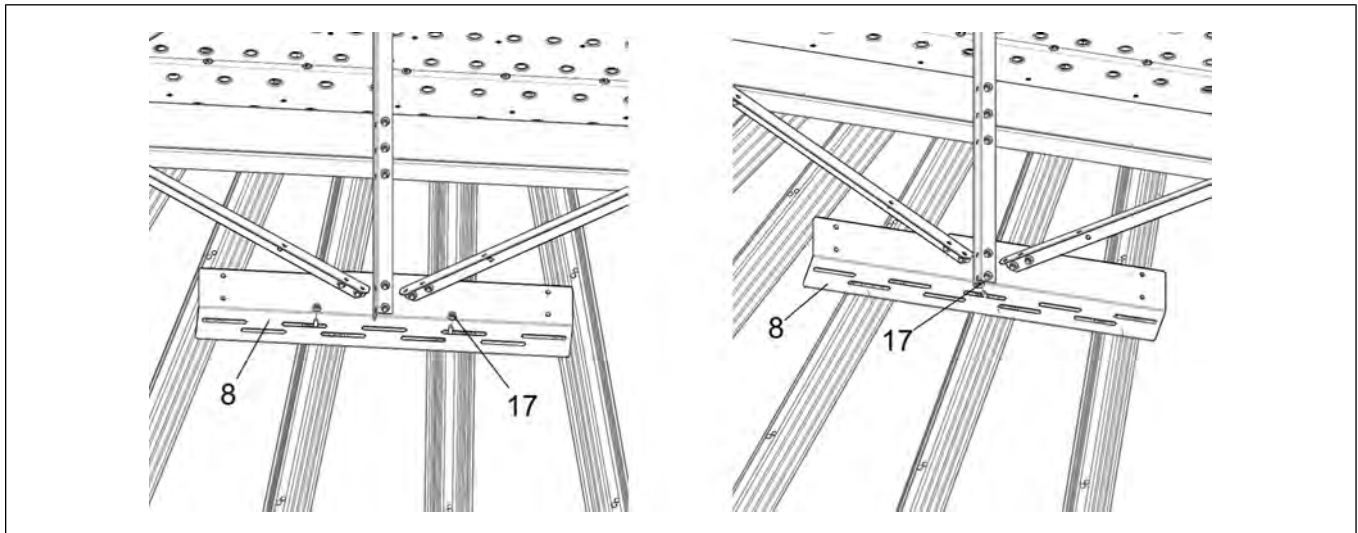
## Chapter 2: Installing the 7 Ft. Peak Walkaround

- Using proper lifting equipment, lift the peak walkaround assembly onto the roof.
- Make sure the handrail posts (6) are vertically straight, then drill holes through the standoffs (8) into the roof ribs.

**NOTE:** Only drill holes where the standoff is in direct contact with the roof, which could be one rib or two ribs. Do not try to make the standoff touch the roof ribs across the entire standoff. This will bend the roof sheets.

- Fasten peak walkaround standoffs (8) to the roof panels using the hardware supplied with the bin.

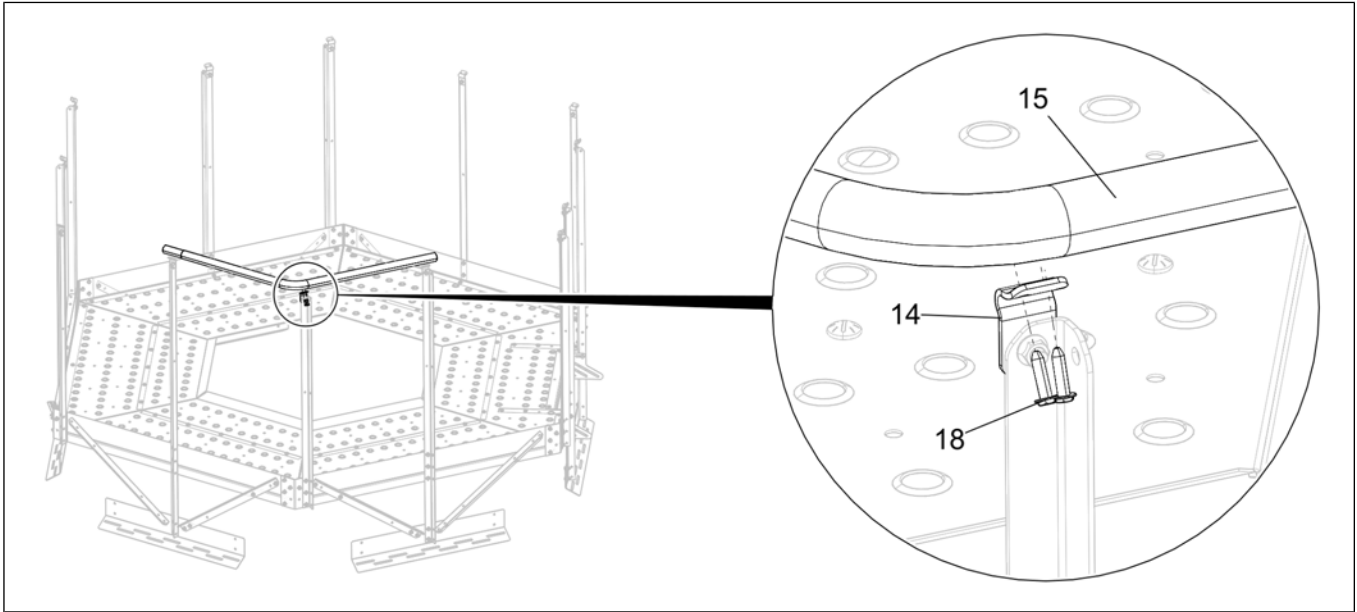
**NOTE:** The bin bolts with sealing washers must be installed on the underside of the roof ribs.



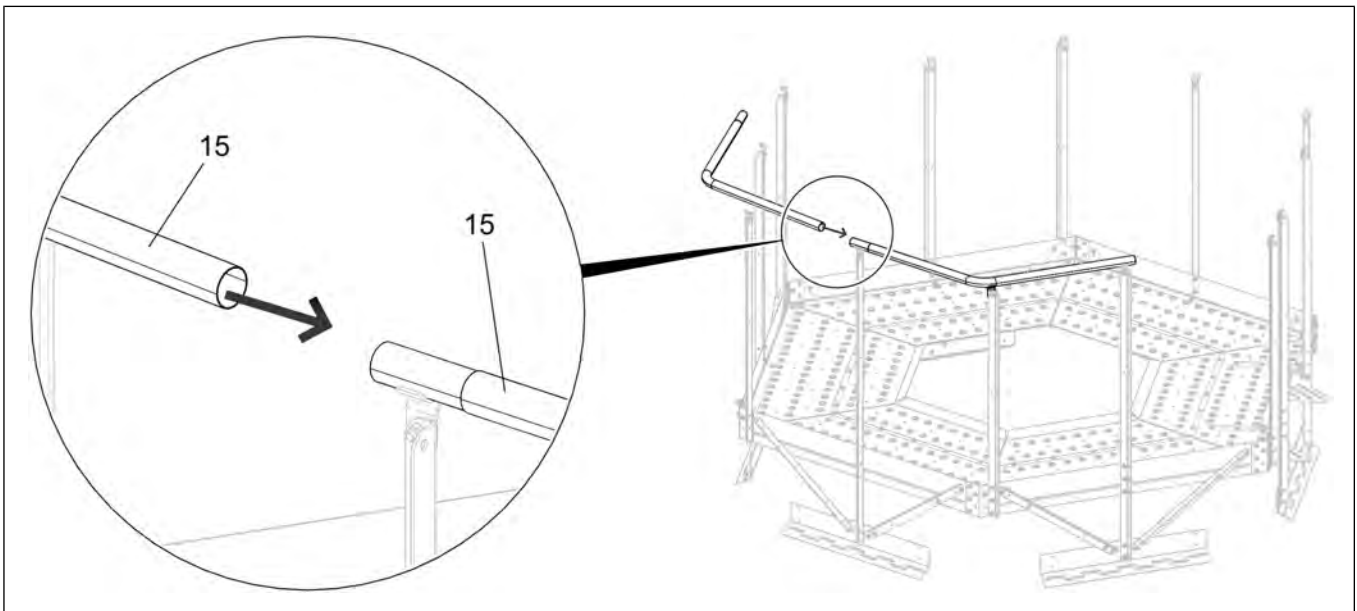
## Chapter 2: Installing the 7 Ft. Peak Walkaround

17. Start at the first corner handrail post (5) to the left of the transition deck plate (9) and install the first top handrail (15) to the handrail mount bracket (14) at the top of the corner handrail post (5) using two self-drilling screws (18).

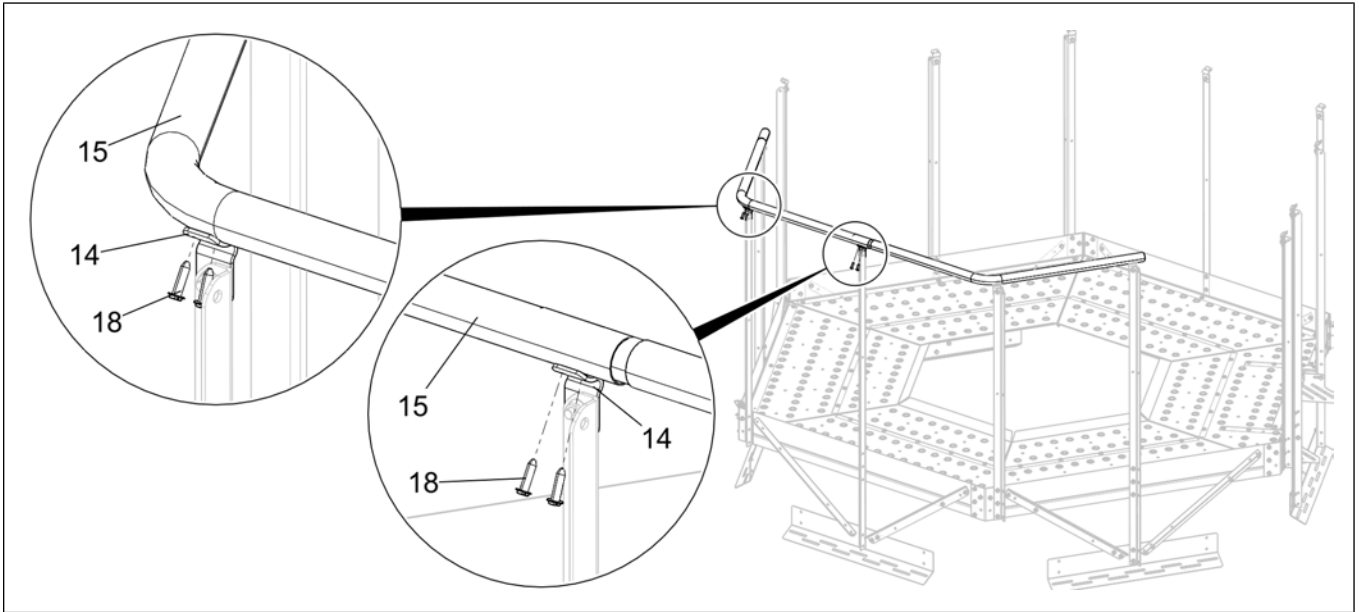
**NOTE:** *Align the bend of the top handrail (15) just to the left of the corner handrail posts. It should align with the corner of the deck plates below.*



18. Slide the next top handrail (15) onto the previous top handrail (15) before attaching to the handrail mount brackets (14).

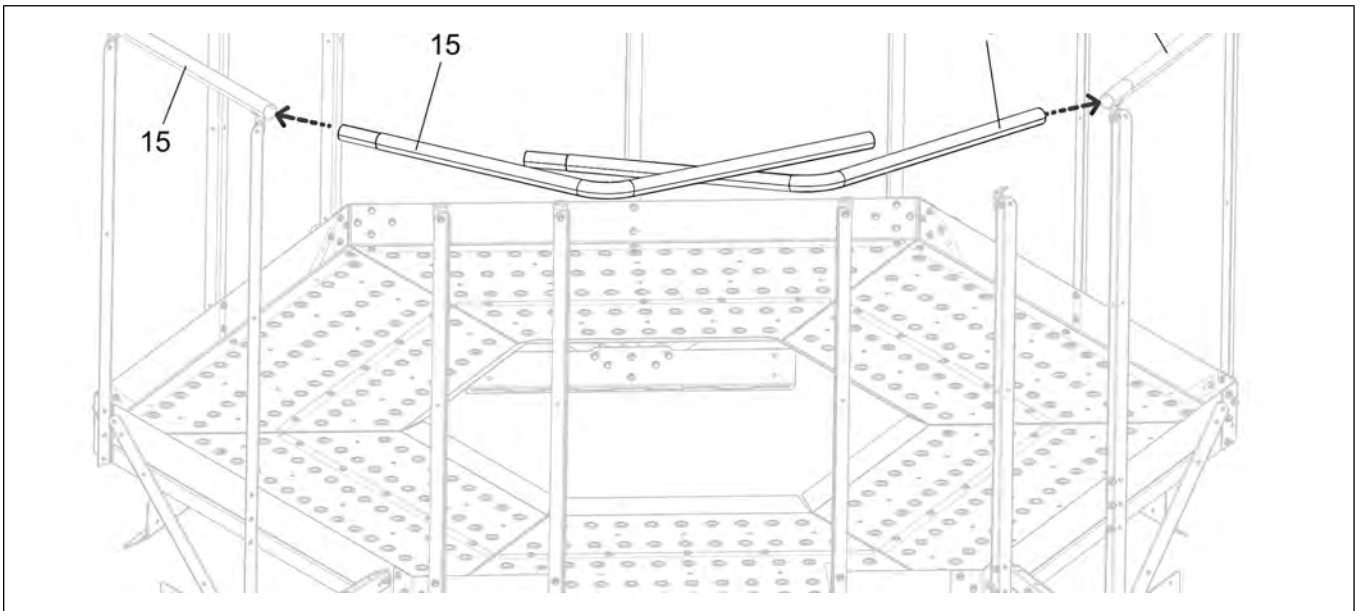


19. Make sure the posts are straight and vertical, then attach the top handrails (15) to the handrail mount brackets (14) using two self-drilling screws (18) per bracket.



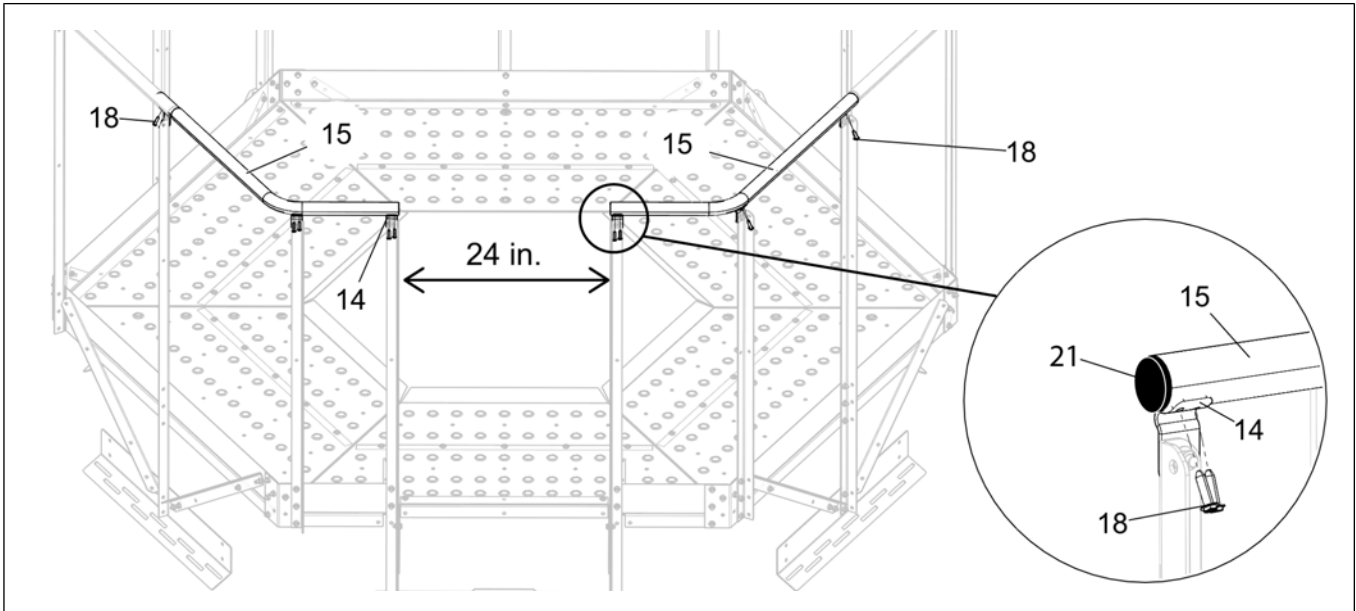
20. Continue with steps 18 and 19 working your way around the peak decking until you get to the entrance.

21. Slide on the last two top handrails (15), one on each side of the entrance.



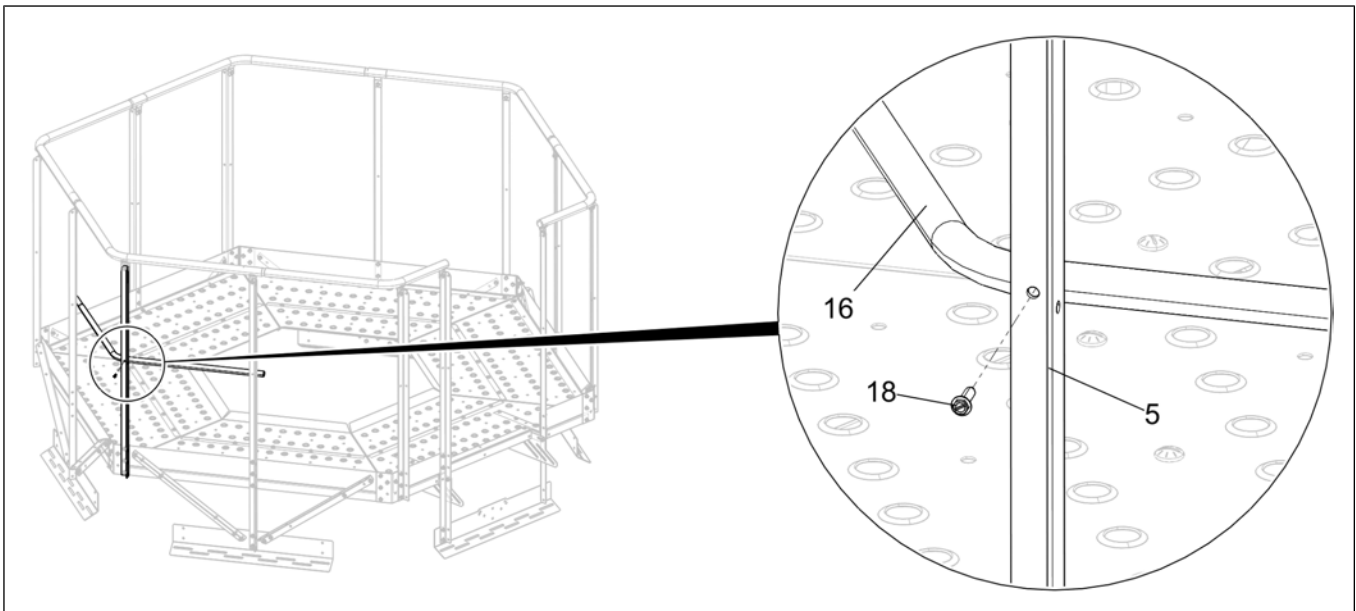
## Chapter 2: Installing the 7 Ft. Peak Walkaround

22. Cut the top handrails (15) to fit the opening, approximately 24 inches.
23. Install the 1-1/2 in. tube plugs (21) into the ends of the top handrails (15).
24. Make sure the posts are straight and vertical, then attach the top handrails (15) to the handrail mount brackets (14) using two self-drilling screws (18) per bracket.

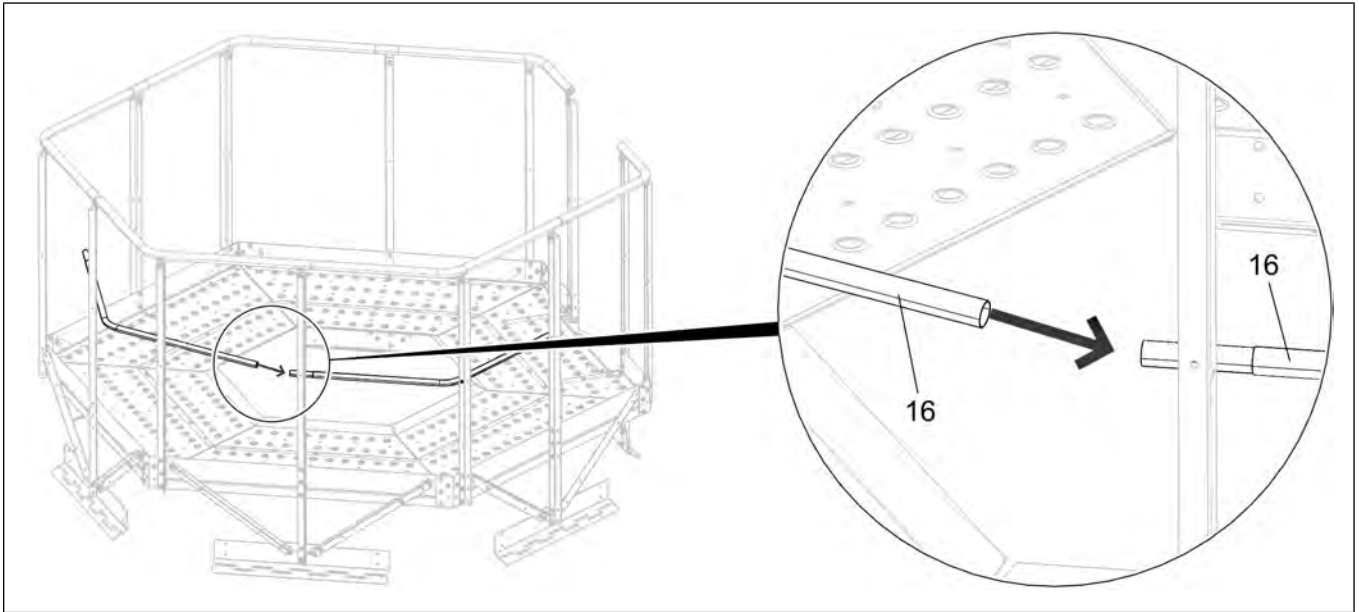


25. Start at the first corner handrail post (5) to the left of the transition deck plate (9) and install the first intermediate handrail (16) to the middle hole in the corner handrail post (5) using a self-drilling screw (18).

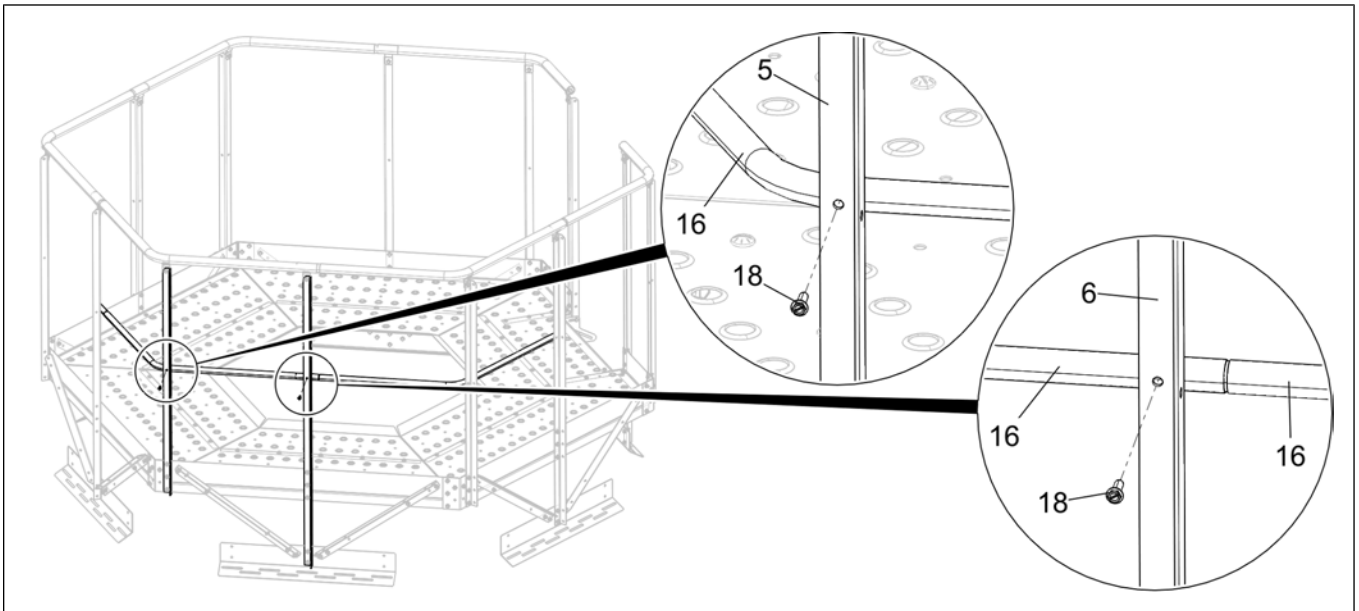
**NOTE:** Align the bend of the intermediate handrail (16) just to the left of the corner handrail posts (5). It should align with the corner of the deck plates below.



26. Slide the next intermediate handrail (16) onto the previous intermediate handrail (16) before attaching to the handrail posts.



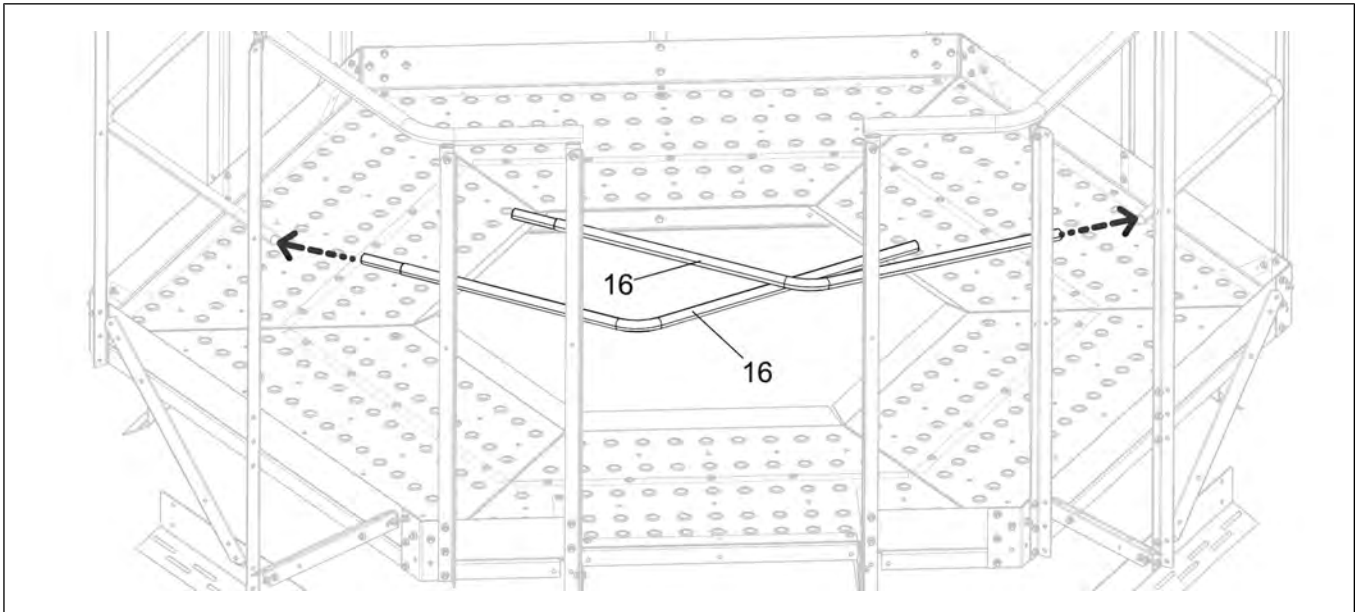
27. Make sure the posts are straight and vertical, then attach the intermediate handrails (16) to the posts (5 and 6) using self-drilling screws (18).



## Chapter 2: Installing the 7 Ft. Peak Walkaround

28. Continue with steps 26 and 27, working your way around the peak walkaround until you get to the entrance.

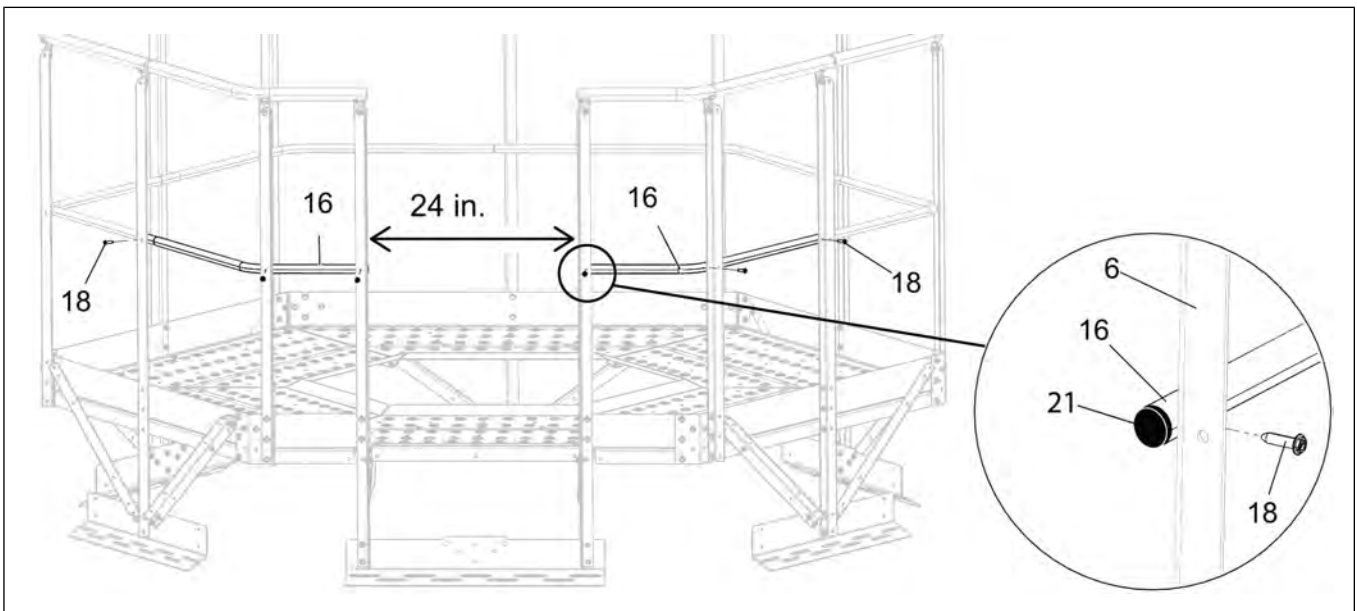
29. Slide on the last two intermediate handrails (16), one on each side of the entrance.



30. Cut the intermediate handrails (16) to fit the opening, approximately 24 inches.

31. Install the 1 in. tube plugs (22) into the ends of the intermediate handrails (16).

32. Make sure the posts are straight and vertical, then attach the intermediate handrails (16) to the handrail posts (5 and 6) using self-drilling screws (18).





## GSI Group, LLC Limited Warranty

The GSI Group, LLC (“GSI”) warrants products which it manufactures to be free of defects in materials and workmanship under normal usage and conditions for a period of 12 months after sale to the original end-user or if a foreign sale, 14 months from arrival at port of discharge, whichever is earlier. The end-user’s sole remedy (and GSI’s only obligation) is to repair or replace, at GSI’s option and expense, products that in GSI’s judgment, contain a material defect in materials or workmanship. Expenses incurred by or on behalf of the end-user without prior written authorization from the GSI Warranty Group shall be the sole responsibility of the end-user.

**Warranty Extensions:** The Limited Warranty period is extended for the following products:

	Product	Warranty Period
<b>AP Fans and Flooring</b>	Performer Series Direct Drive Fan Motor	3 Years
	All Fiberglass Housings	Lifetime
	All Fiberglass Propellers	Lifetime
<b>AP/Cumberland</b>	Flex-Flo/Pan Feeding System Motors	2 Years
<b>Cumberland Feeding/Watering Systems</b>	Feeder System Pan Assemblies	5 Years **
	Feed Tubes (1-3/4" and 2.00")	10 Years *
	Centerless Augers	10 Years *
	Watering Nipples	10 Years *
<b>Grain Systems</b>	Grain Bin Structural Design	5 Years
<b>Grain Systems Farm Fans Zimmerman</b>	Portable and Tower Dryers	2 Years
	Portable and Tower Dryer Frames and Internal Infrastructure †	5 Years

\* Warranty prorated from list price:  
 0 to 3 years - no cost to end-user  
 3 to 5 years - end-user pays 25%  
 5 to 7 years - end-user pays 50%  
 7 to 10 years - end-user pays 75%

\*\* Warranty prorated from list price:  
 0 to 3 years - no cost to end-user  
 3 to 5 years - end-user pays 50%

† Motors, burner components and moving parts not included.  
 Portable dryer screens included.  
 Tower dryer screens not included.

GSI further warrants that the portable and tower dryer frame and basket, excluding all auger and auger drive components, shall be free from defects in materials for a period of time beginning on the twelfth (12<sup>th</sup>) month from the date of purchase and continuing until the sixtieth (60<sup>th</sup>) month from the date of purchase (extended warranty period). During the extended warranty period, GSI will replace the frame or basket components that prove to be defective under normal conditions of use without charge, excluding the labor, transportation, and/or shipping costs incurred in the performance of this extended warranty.

### Conditions and Limitations:

THERE ARE NO WARRANTIES THAT EXTEND BEYOND THE LIMITED WARRANTY DESCRIPTION SET FORTH ABOVE. SPECIFICALLY, GSI MAKES NO FURTHER WARRANTY OF ANY KIND, EXPRESS OR IMPLIED, INCLUDING, WITHOUT LIMITATION, WARRANTIES OF MERCHANTABILITY OR FITNESS FOR A PARTICULAR PURPOSE OR USE IN CONNECTION WITH: (I) PRODUCT MANUFACTURED OR SOLD BY GSI OR (II) ANY ADVICE, INSTRUCTION, RECOMMENDATION OR SUGGESTION PROVIDED BY AN AGENT, REPRESENTATIVE OR EMPLOYEE OF GSI REGARDING OR RELATED TO THE CONFIGURATION, INSTALLATION, LAYOUT, SUITABILITY FOR A PARTICULAR PURPOSE, OR DESIGN OF SUCH PRODUCTS.

GSI shall not be liable for any direct, indirect, incidental or consequential damages, including, without limitation, loss of anticipated profits or benefits. The sole and exclusive remedy is set forth in the Limited Warranty, which shall not exceed the amount paid for the product purchased. This warranty is not transferable and applies only to the original end-user. GSI shall have no obligation or responsibility for any representations or warranties made by or on behalf of any dealer, agent or distributor.

GSI assumes no responsibility for claims resulting from construction defects or unauthorized modifications to products which it manufactured. Modifications to products not specifically delineated in the manual accompanying the equipment at initial sale will void the Limited Warranty.

This Limited Warranty shall not extend to products or parts which have been damaged by negligent use, misuse, alteration, accident or which have been improperly/inadequately maintained. This Limited Warranty extends solely to products manufactured by GSI.

Prior to installation, the end-user has the responsibility to comply with federal, state and local codes which apply to the location and installation of products manufactured or sold by GSI.

9101239\_1\_CR\_rev8.xml (revised January 2014)

**This equipment shall be installed in accordance with the current installation codes and applicable regulations which should be carefully followed in all cases. Authorities having jurisdiction should be consulted before installations are made.**



1004 E. Illinois St.  
Assumption, IL 62510-0020  
Phone: 1-217-226-4421  
Fax: 1-217-226-4420  
[www.gsiag.com](http://www.gsiag.com)



GSI is a worldwide brand of AGCO Corporation.