



KWIK FRAME™ *Sliding Door Systems*

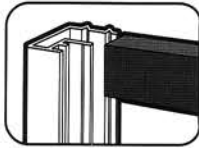


KWIK FRAME™ *Sliding Door Systems*
For typical openings and wind load conditions.

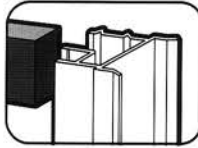
sliding door systems

KWIK FRAME™ *Sliding Door Systems*

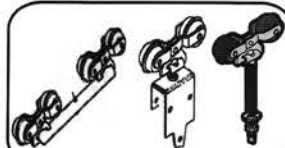
For typical openings and wind load conditions



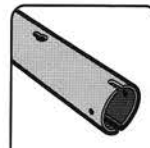
Side Rail/Steel Girt
#200 #235



Double Couple
#216



Trolley Hangers
#643437, #711221, Delrin® #711055



Keyhole™ Track
6', 8', 10', 12', 14', 16', 18', 20'



Splice Collar
#465101



Quick Track™
With White Cover
8', 10', 12', 14', 16', 18', 20'

For 2-1/2" Thick Doors



Lifetime Warranty On Track & Trolley

Bigg-Frame version also available



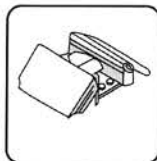
Bottom Rail
#244WS



Bottom Rail
#210



Adjust-A-Stop
Zinc #710894
White #710899



Center Stop
#711271



Jumbo Door Pull
Zinc #710653
White #710654



Center Mt Metal Door Snugger
21 Link #



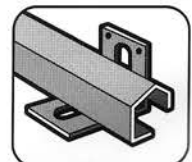
Side Mt Metal Door Snugger
21 Link #711201



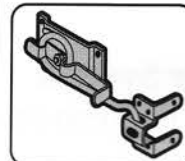
Center & Side Mt Wood Door Snugger
21 Link #643404



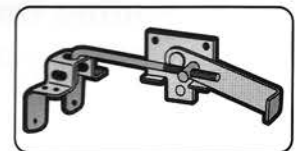
Offset Stay Roller
#710806



Stay Guide II
For #210 & #244 Btm Rails



Cam Latch
Single #711504
Pair #651303



Jamb Latch
4" - #728091
7" - #728106

Number of Horizontals Required all Vertical Spacings are 24” Q.C.

		DOOR LEAF WIDTH								
		SINGLE LEAF					DOUBLE LEAF			
		6'	7'	8'	9'	10'	12'	14'	16'	
DOOR LEAF HEIGHT	8'	4	4	4	4	4	4	4	4	
	10'	5	5	5	5	5	5	5	5	
	12'	6	6	6	6	6	6	6	6	
	14'	7	7	7	7	7	7	7	7	
	16'	8	8	8	8	8	8	8	8	

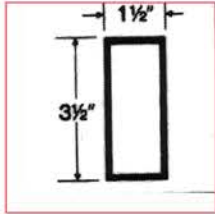
NOTE:

- A) The same part is used as the top horizontal and as the intermediate horizontals.
- B) For larger sizes than listed above, refer to CannonBall Bigg-Frame Systems.

* Required per leaf

** Doors greater than 12’ in height need to use steel 235’s for the horizontals or use the CannonBall:HNP Bigg Frame Door System

#235 Steel Girt

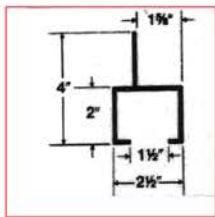


20 gauge galvanized steel. Can be used in place of wood horizontal girts to eliminate warping of door panels. Weight is 1.3 lbs./ft.

Part No.	Length	Part No.	Length
724864	6ft.	724860	14ft.
724866	8ft.	724861	16ft.
724868	10ft.	724870	18ft.
724869	12ft.	724862	20ft.

Contact factory for availability in odd lengths

#210 Bottom Rail

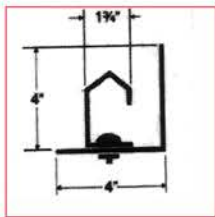


Attaches to wood bottom rail and allows use of continuous bottom guide. Weight is .8 lb./ft.

Part No.	Length	Part No.	Length
724825	8ft.	724829	16ft.
724826	10ft.	724830	18ft.
724827	12ft.	724831	20ft.
724828	14ft.		

Contact factory for availability in odd lengths

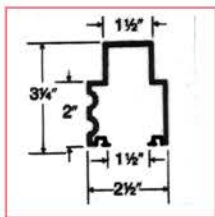
Stay Guide II



Continuous guide system complete with brackets and fasteners, all galvanized steel construction. Use length closest to 60% of door panel width. Can be spliced to form longer lengths. Use with #210 and #244 bottom rails

Part No.	Length	Shipping Wt.
724574	6ft.	11lbs.
724575	8ft.	13lbs.
724576	10ft.	15lbs.

#244WS Bottom Rail

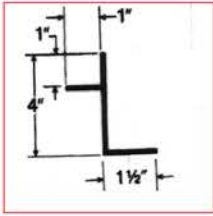


Eliminates wood bottom rail and provides channel for continuous bottom guide. Weight is 1 lb./ft.

Part No.	Part No.	Length
White	Brown	
724563	724877	8ft.
724564	724878	10ft.
724565	724879	12ft.
724566	724880	14ft.
724567	724881	16ft.
724568	724882	18ft.
724569	724883	20ft.

Contact factory for availability in odd lengths

#201 Bottom Rail

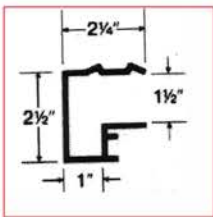


Mounts on face of wood bottom rail and provides smooth surface for stay roller. Weight is .58 lb./ft.

Part No.	Part No.	Length
White	Brown	
724340	724884	8ft.
724341	724885	10ft.
724342	724886	12ft.
724343	724887	14ft.
724344	724888	16ft.
724345	724889	18ft.
724346	724890	20ft.

Contact factory for availability in odd lengths

#200 Vertical Side Rail



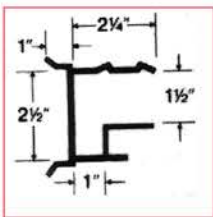
2 1/2" width is 20% stronger than most 1 1/2" systems. Weight is .76 lb./ft.

Part No. 200B White Not Punched	Part No. 200BP White Punched	Part No. 200C White, Cartoned Not Punched	Part No. 200B Brown Not Punched	Length
724300	724301	724302	724754	8ft.
724304	724305	724306	724755	10ft.
724308	724309	724310	724756	12ft.
724312	724313	724314	724757	14ft.
724316	724317	724318	724758	16ft.
724591	724766	_____	_____	18ft.
724740	790356	_____	_____	20ft.

Contact factory for availability in odd lengths

Contact factory for availability for brown punched & cartoned availability

#216 Double Couple Rail



Replaces one #200 vertical side rail where double sliding doors meet. Eliminates gap between doors. Weight is .93 lb./ft.

Part No. 216B White Not Punched	Part No. 216BP White Punched	Part No. 216C White, Cartoned Not Punched	Part No. 216B Brown Not Punched	Length
724320	724321	724322	724760	8ft.
724324	724325	724326	724761	10ft.
724328	724329	724330	724762	12ft.
724332	724333	724334	724763	14ft.
724336	724337	724338	724764	16ft.
724592	_____	_____	_____	18ft.
724722	790357	_____	_____	20ft.

Contact factory for availability in odd lengths

Contact factory for availability for brown punched & cartoned availability

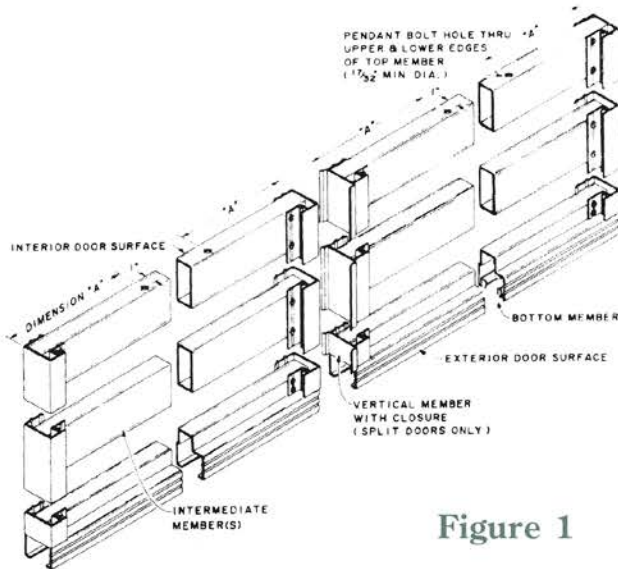


Figure 1

With the top, intermediate and bottom horizontals properly fitted and spaced in the verticals, secure the grid at each of the four corners using one (1) #8 self-drilling, self-tapping fastener. The fastener should be located in the extruded pilot groove as shown in Figure 3.

TROLLEY MOUNTING HOLE LOCATIONS

Door Leaf Width	6'	7'	8'	9'	10'	12'	14'	16'	18'	20'
Dim. "A"	1'	1'	1'	1'	1'	2'	2'	2'	2'	2'

Figure 2

Square the Door Grid

After squaring, secure the grid with a second fastener at each of the four corners locating them as shown in Figure 4.

Carefully turn the door grid over, recheck for squareness, and repeat the fastening procedures.

Secure all intermediate horizontals with 4 screws/joints (2 per side) See Figure 4.

Door Grid Assembly

Doors should be assembled in a flat area. The horizontals are to be equally spaced. The number required per door and spacing is shown in table. The inside face of the door frame should be assembled first.

After laying out the horizontal members, locate and drill two (2) 17/32 minimum diameter holes in the top horizontal. Locate each trolley hole at dimension "A" from the end and 1" from the inside face. See chart for recommended dimension "A".

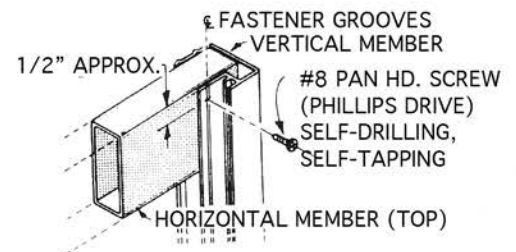


Figure 3

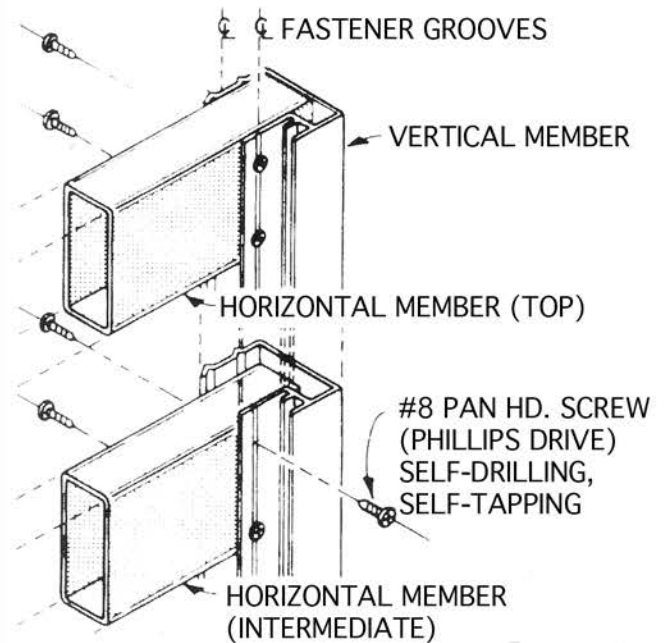


Figure 4

Note: If installing the optional 2" wood members simply drive nails through the extruded grooves.

Install the wood members in the same manner as described for the metal horizontal members. Refer to Figures 6 & 7.

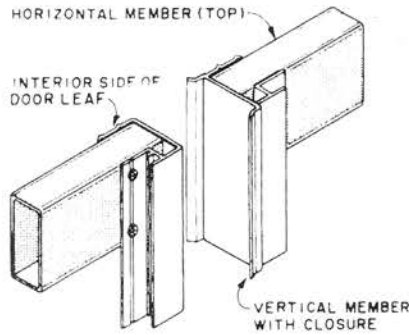


Figure 5

Apply sheeting per sheeting manufacturer's recommendations.

When sheeting door, the sheeting tucks between the built-in flashing and trip strip of the vertical members.

Trolley Mounting Instructions

Insert the trolley mounting bolts into the door grid top horizontal. Install the trolleys and adjust the nuts on the pendant bolts until there is approximately one inch between the trolley bolt head and the door grid top horizontal Figure 8.

INSTALL CANNONBALL TRACK PER SPECIFICATION SHEET

After hanging doors and adjusting to required height, insert sheet metal screws through the washered nuts into the horizontal member as shown in Figure 8. When using wood horizontals use a nail as shown in Figure 9. Adjust the offset pendant bolts so door hangs flush against side of building. Tighten the split lock nuts on the offset pendant bolts to lock trolleys in operating position.

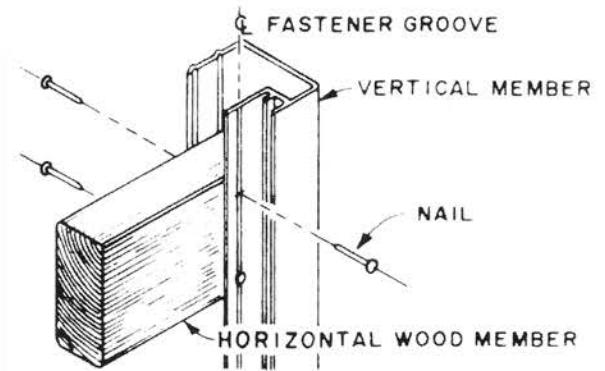


Figure 6

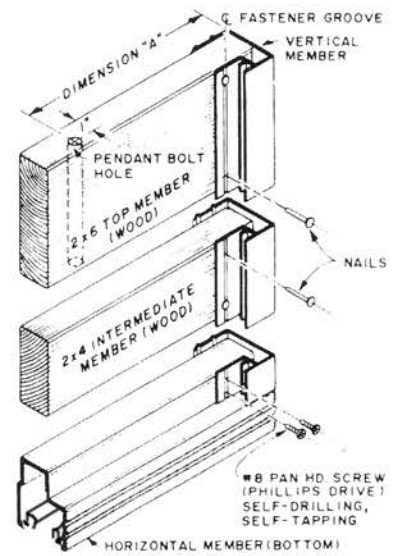


Figure 7

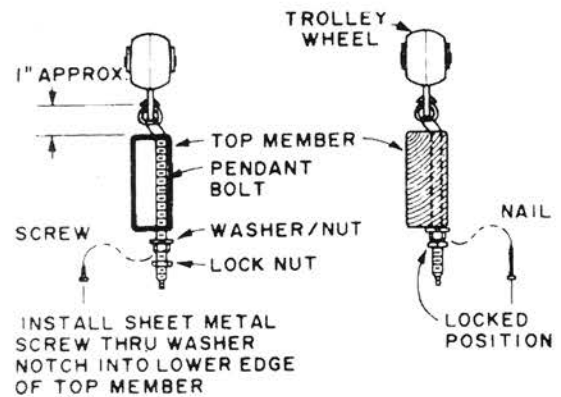


Figure 8

Figure 9

Center Mounted Snugger For Wood Horizontals

Select a horizontal door member that is at a convenient height. Drill one $9/32$ " diameter hole in the vertical door member (see Figure 10). Slip rod support on straight end of snugger rod and properly position assembly to determine proper location of rod support. Fasten rod support with 2 ring nails as shown.

Slip the larger link on the end of the chain over the snugger rod and insert snugger rod into the rod support. Secure the opposite end to vertical member using (1) $1/4$ " fastener and nut as shown. Figure 11.

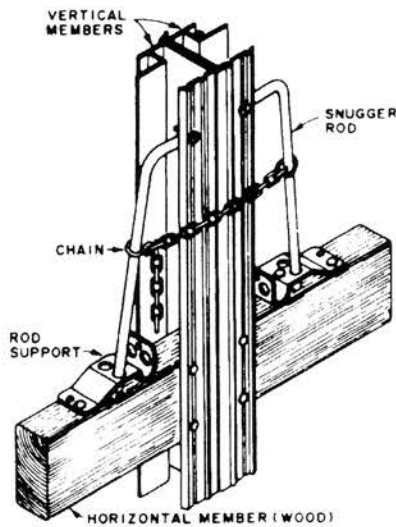


Figure 11

Center Mounted Snugger For Metal Horizontals

Select a horizontal door member that is at a convenient height and drill one (1) $17/32$ " diameter hole as shown. Next drill one (1) $9/32$ " diameter hole in the vertical door member. Figure 12.

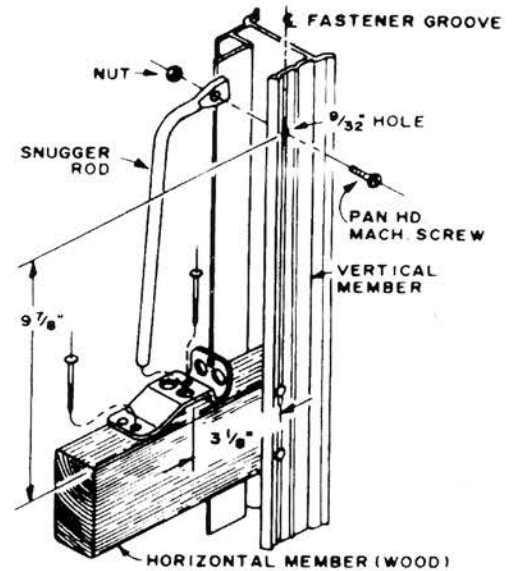


Figure 10

Install the second half of the snugger rod in the other door, following the above procedures except that no chain link is put on the rod.

Attach the "S" hook to the chain.

To latch the two doors together, merely hook the "S" hook onto the snugger rod as shown. The more the door rattles, the tighter the latch becomes. After making certain the "S" hook is in the proper link (latched chain should be about 6" from top of horizontal member), close the "S" hook slightly so it will not become detached from the chain. Figure 11.

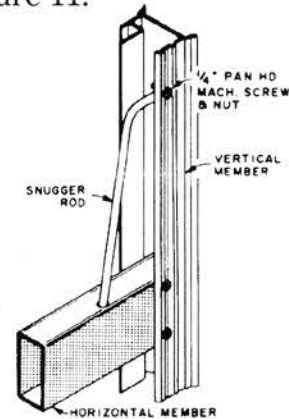


Figure 12

Slip the larger link on the end of the chain over the snugger rod, and insert snugger rod into the 17/32" hole in the horizontal door member. Secure opposite end of snugger rod to vertical member using one (1) 1/4" fastener and nut. Figure 13. Install the second half of the snugger rod in the other door, following the above procedure except that no chain link is put on the rod. Attach the "S" hook to the chain.

To latch the two doors together, merely hook the "S" hook onto the snugger rod as shown. The more the door rattles, the tighter the latch becomes. After making certain the "S" hook is in the proper link (latched chain should be about 6" from top of horizontal member), close the "S" hook slightly so it will not become detached from chain. Figure 13.

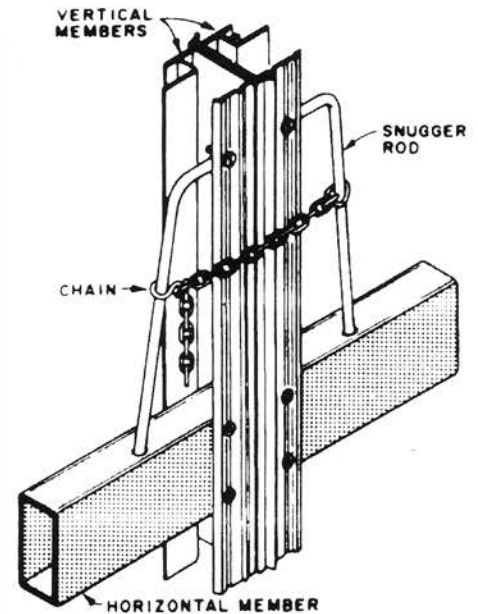


Figure 13

Side Mounted Snugger For Metal Horizontals

Select a horizontal door member that is at a convenient height and drill one (1) 17/32" diameter hole as shown. Next drill one (1) 9/32" diameter hole in the vertical door member. Refer to Figure 14 for hole location.

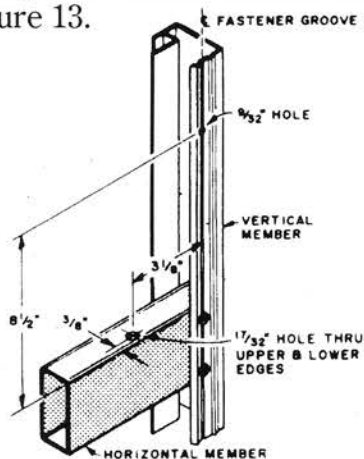


Figure 14

Before installing the second half of the snugger to the face of the door jamb, close the door. (Door must have a center stop, or otherwise held stationary.) Secure rod support "A" to door jamb so as to be level with the horizontal door member as shown in Figure 16. (Rod support fasteners are NOT supplied) Slip large link on the end of the chain over the rod and insert rod into rod support "A". Put rod support "B" on opposite end of rod. Offset rod support "B" 1.0" from rod support "A" as shown. Secure support "B" to door jamb.

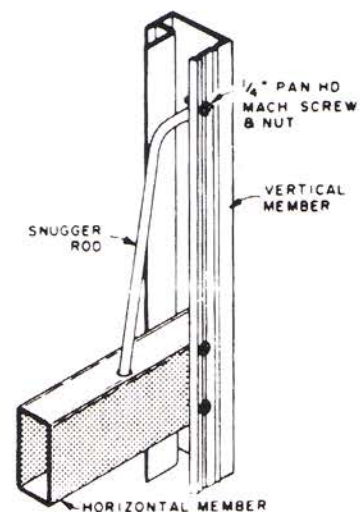


Figure 15

After making certain the "S" hook is in the proper link (latched chain should be about 6" from the top of horizontal member) close the "S" hook slightly so it will not become detached from the chain.

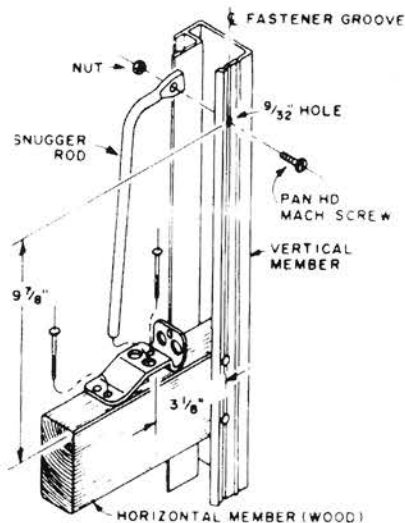


Figure 17

Before installing the second half of the snigger to the face of the door jamb, close the door. (Door must have a center stop, or otherwise held stationary.) Secure rod support "A" to door jamb so as to be level with the horizontal door member as shown in Figure 18. (Rod support fasteners are NOT supplied) Slip large link on the end of the chain over the rod and insert rod into rod support "A". Put rod support "B" on opposite end of rod. Offset rod support "B" 1.0" from rod support "A" as shown. Secure support "B" to door jamb.

After making certain the "S" hook is in the proper link (latched chain should be about 6" from top of horizontal member), close the "S" hook slightly so it will not become detached from chain. Figure 18.

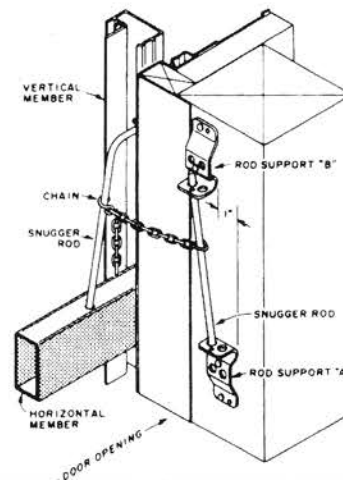


Figure 16

Side Mounted Snigger For Wood Horizontals

Select a horizontal door member that is at a convenient height and drill one (1) 9/32" diameter hole in the vertical door member. Refer to Figure 17 for hole location.

Slip rod support on straight end of snigger rod and properly position assembly to determine proper location of rod support. Fasten rod support with 2 ring nails as shown. Slip the large link on the end of the chain over the snigger rod and insert snigger rod into the rod support. Secure the opposite end to vertical member using (1) 1/4" fastener and nut as shown. Figure 17.

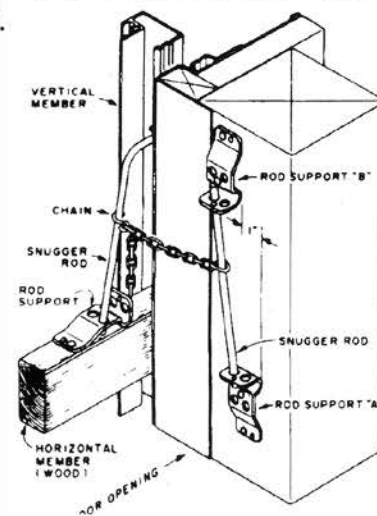


Figure 18

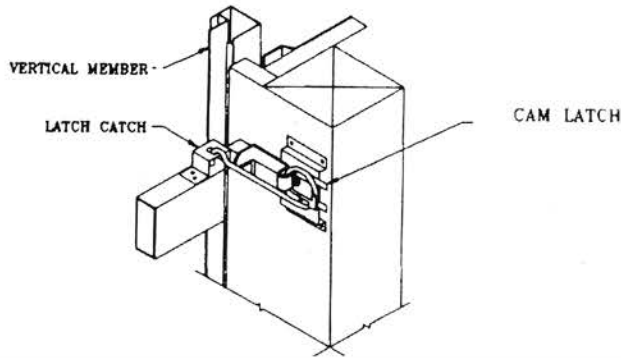


Figure 19

Side Mounted Jamb Latch

For Metal Horizontals

Select a horizontal door member that is at a convenient height. Align edge of vertical member with door jamb surface. Mount latch catch with the two legs toward the front of the door. Keep slot for hook in line with hook on latch. (See Figure 20). Latch catch should be installed prior to applying steel rib to sliding door frames. Attach main body of latch to door jamb, keeping latch hook parallel to top of latch catch mounted on the horizontal. With latch handle straight up or a little toward sliding door, mount latch with end of hook in hole on the latch catch. Pull handle back toward interior of building and down to secure door tight to jamb. Hook is threaded so it can be easily adjusted. Reverse hook on body of latch to change from R.H. or L.H.

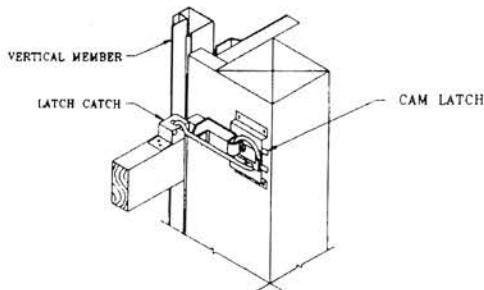


Figure 21

Side Mounted Cam Latch

For Metal Horizontals

Select a horizontal door member that is at a convenient height. Align edge of vertical member with door jamb surface. Mount latch catch with the two legs toward the front of the latch. (See Figure 19). Latch catch should be installed prior to applying steel rib to sliding door frames. Attach main body of latch to door jamb. Keeping latch hook parallel to top of latch catch mounted on the horizontal. With latch handle straight up mount latch with end of hook in hole on the latch catch. Pull handle down toward door to secure door tight to jamb. Cam latch can be mounted either right or left handed, just remove nut and turn hook over and re-attach the nut (This needs to be done before mounting to door jamb.)

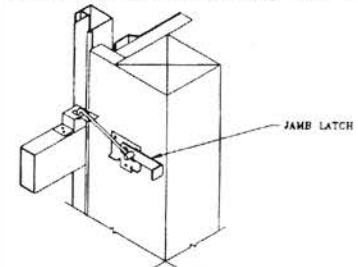


Figure 20

Side Mounted Cam Latch

For Wood Horizontals

Select a horizontal door member that is at a convenient height. Align edge of vertical member with door jamb surface. Mount latch catch with the legs toward the front of the door. Keep slot for hook in line with hook on latch. (See Figure 21), Latch catch should be installed prior to applying steel rib to sliding door frames. Attach main body of latch to door jamb. Keeping latch hook parallel to top of latch catch mounted on the horizontal. With latch handle straight up mount latch with end of hook in hole on the latch catch. Pull handle down toward door to secure door tight to jamb. Cam latch can be mounted either right or left handed, just remove nut and turn hook over and re-attach the nut. (this needs to be done before mounting to door jamb.)

Side Mounted Jamb Latch

For Wood Horizontals

Select a horizontal door member that is at a convenient height. Align edge of vertical member with door jamb surface. Mount latch catch with the legs toward the front of the door. Keep slot for hook in line with hook on latch. (See Figure 20). Latch catch should be installed prior to applying steel rib to sliding door frames. Attach main body of latch to door jamb, keeping latch hook parallel to top of latch catch mounted on the horizontal. With latch handle straight up or a little toward sliding door, mount latch with end of hook in hole on the latch catch. Pull handle back toward interior of the building and down to secure door tight to jamb. Hook is threaded so that it can be easily adjusted. Reverse hook on body of latch to change from R.H. or L.H.

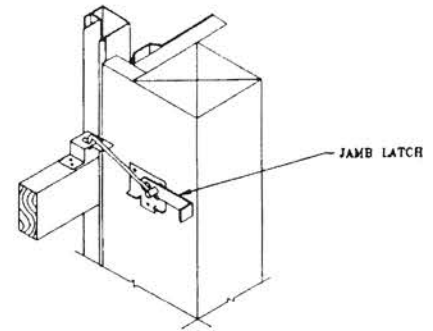


Figure 22

Center Door Guide & Stop

Center guide and stop may be mounted to a 6"x6" P.T. post or imbedded in concrete. Fasteners for mounting center guide are NOT included.

Locate guide at the center point of door opening. The door leaves to engage as shown in bottom horizontal. Note: For proper closure each bottom horizontal should be cut or notched 1/16" short for the center verticals to compensate for the center stop thickness.

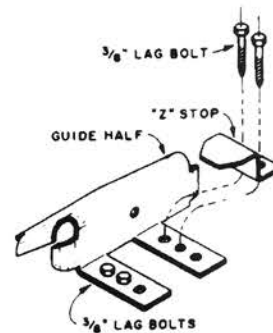


Figure 24

Center Stop Assembly

Fasten one half of the guide with 3/8" lag bolts. Locate the "Z" stop on the center lag of the unfastened half as show in Figure 24.

Secure half with lags. Finally attach "L" hold down to "Z" stop with 3/8" carriage bolt as shown in Figure 25.

After the guide is in place, additional adjustment is possible through the vertical adjustment should be used only after the center guide is rigidly in place.

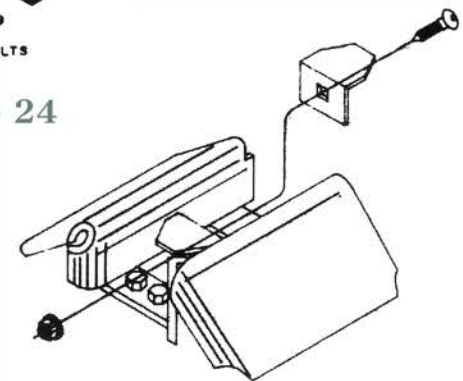


Figure 25

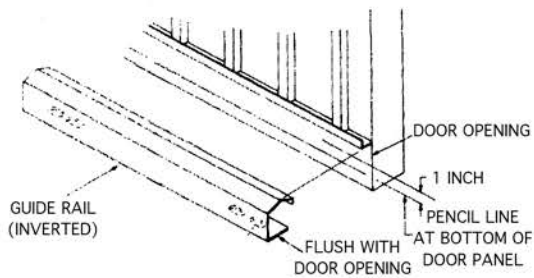


Figure 26

Bolt guide rails to brackets, finger tight, with carriage bolts and lock nuts. (See Figure 28).

Make final adjustments by opening door and checking clearances. Tighten all bolts and nails through holes provided in brackets.

Stay Guide II Installation

Installation Instructions

With sliding door panel in open position, make a pencil line on face of building at very bottom edge of door. Slide door to closed position. Turn guide rail upside down so that slots are visible. Line up one end of rail with edge of door opening and mark slot locations on wall, 1 inch above pencil line (See Figure 26.) Use alternate slot location in case bracket interferes with siding rib. Install wall brackets with lag screws provided. (See Figure 27.) Make sure nailer holes are in vertical leg of bracket.

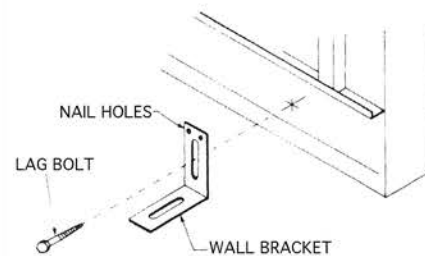


Figure 27

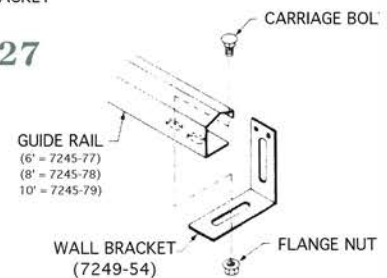


Figure 28

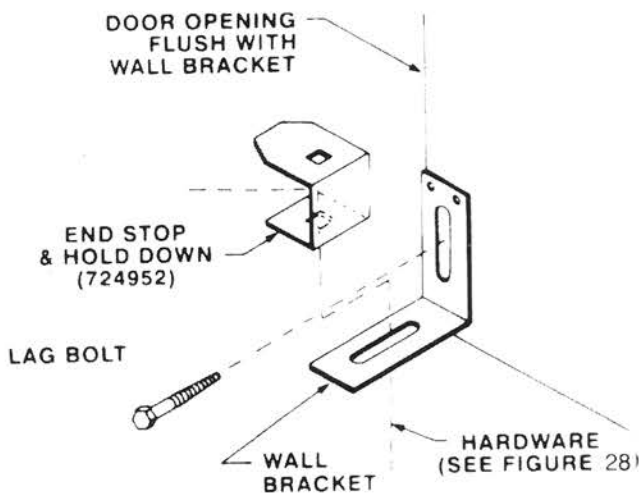


Figure 29

End Stop and Hold-Down Bracket

Assemble end stop and hold-down bracket to wall bracket as shown in Figure 29. Do NOT tighten hardware.

With door in closed position, locate wall bracket flush with door opening as shown in Figure 29. Note: Additional blocking may be required behind wall bracket to provide a flat mounting surface.

Attach wall bracket to building wall with lag bolt and nails similar to guide rail. Tighten flange nut AFTER final adjustment. (See Figure 29.)

244WS Series and 394WS Series

NEW BOTTOM RAIL

Seals better than ever!



725586 Side Rail
Vinyl Seal

500905 Bottom Rail
Vinyl Seal

500904 Bottom Rail
Brush Seal



- Provides weather protection
- Can be used with stay rollers or guide system
- White or brown standard on the 244WS
- White standard on the 394WS
- Special colors upon request

Available in Bigg and Kwik Frame
Brush Seal, Vinyl Seal or Interchangeable



CNB-KF-BK001

©2010 rev. 02.09.10

555 Lawton Avenue | Beloit, Wisconsin 53512-0835

Phone: 608.365.2161 | Fax: 608.365.4565 | Toll Free: 800.766.2825 | www.cnbhnp.com