

# LEVI'S®

BUILDING COMPONENTS



For Tomorrow

# Our Story

It all began...

*Levi's Nail Coatings* began in 1978 as the vision of Levi Fisher in a small shop in Bird-in-Hand, Pennsylvania. As the industry transformed and changed from nails to screws, so did the company product line and name, to *Levi's Nails and Screws*. In 1995 the company's growth allowed movement to its present site in Leola, Pennsylvania. Expansions at this location have allowed for more product offerings and further dedication and commitment to the company's basic core values of honesty, quality and service.

Today, our company is known as Levi's Building Components and is a nationally recognized metal roofing product supplier. Presently under the guidance of Levi's son, Steve, the 40 years of Fisher family leadership has enabled the company to grow, yet remain true to its Christian principles.

Each employee helps to meet the company's goals by embracing service to God first while working in a way that reflects our company's core values. Innovations and new methods are met with enthusiasm and considered vital to providing our customers with the very best in products and services. We build honest relationships by delivering on our promises and standing behind our products.

## Our Core Values

We are a company founded on Christian principles. We strive to honor God first while working in a way that reflects our Core Values:

### *Honesty*

We will aspire to be truthful, sincere, and candid in all aspects of our daily activities.

### *Quality*

It is at the core of everything we do.

### *Service*

We strive to deliver on our promises. We stand behind our products.

## Our Mission

We deliver metal roofing accessories and building components to the commercial, residential and agricultural industries.

## Our Vision

To be recognized as the company metal roofing suppliers rely on daily.

*Celebrating 40 Years  
of Quality Products  
and Honest Service*



137 Newport Rd  
Leola, PA 17540

(877) 897-7020  
Fax (717) 656-2558

[www.levisbuildingcomponents.com](http://www.levisbuildingcomponents.com)  
[www.snowguards.biz](http://www.snowguards.biz)



# Table of Contents

## Fasteners

**Fastgrip™**

5-6

**Metalgrip™**

7-8

**ProZ™**  
**ProZ SD™**

9-10

**ProCap™**

10

**LoGrip™**

11

**ReGrip™**

11

## Snow Retention

**Snow DEFENDER™**

17-23

**S-5!®**

24

## Accessories

**SWENSON SHEAR**  
EST. 1984

25

**DEKS**  
Easy to Work With

16, 26, 33-34

**EMSEAL**

27

**FastVent™**  
**PLUS III**

29

**FloVent™ FloVent™**  
R120

30

**X-TREME**  
FOAM

**Titebond®**  
THE PRO'S ADVANTAGE™

31

**UPLIFT PLATE™**

32

**ROLO**  
**R**

35-36

**alco SHIELD**  
ICE & WATER PROTECTOR

37

## Other Products

Pancake Head Screws ..... 12  
Deck Screws..... 13  
Screws with Wings ..... 13  
Wafer Head Screws ..... 14  
Zip Screws ..... 14  
Wedge Anchors ..... 15  
Rivets ..... 15

Paint Pens ..... 15  
Spring Nut Setters..... 16  
Driver Bits ..... 16  
Gutter Hangers..... 25  
QuickLath™..... 26  
Butyl Tape..... 27

Closure Strips & Universal Closures..... 28  
Perform Vent ..... 30  
Metal Wrap..... 38  
Product Index ..... 39  
Terms & Conditions..... 41  
National Coverage ..... 42



# Fastgrip™ MINI-DRILLER™

## Wet Painted

Long-lasting paint application stays on and keeps its color.

## Mechanical Zinc Galvanized Plating

Average 1 mil, to protect against corrosion.

## True-to-Size Head

Consistent head size allows use of standard nut setter.

## 1022 Carbon Steel

Preferred by builders for superior performance.

## Quick Ship

40+ colors in stock.

## 250 Per Bag

Colors clearly marked, easy to identify on the job.



## Did You Know?



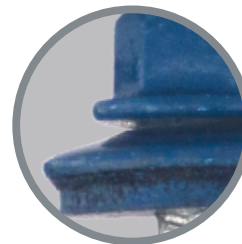
### Available In Any Color

We can match anything!



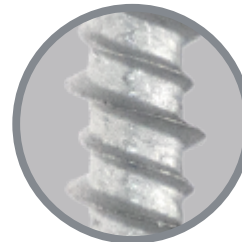
### Strong V-Neck Head

Provides superior installation strength.



### 1/2" EPDM Bonded Washer

Compare us. We don't compromise on washer size, and achieve a better seal.



### #10 Hi-Lo Thread

For easy drilling and better holding power.



### Reduced Point

Reduces trapped steel shavings.

# What's the difference?

Find out what makes each line of Levi's fasteners stand out.

	<ul style="list-style-type: none"> <li>• Metal to wood</li> <li>• Mechanical Galvanized</li> <li>• #9 Stainless steel</li> <li>• #10 Hi-Lo thread</li> <li>• MINI-DRILLER™</li> </ul>
	<ul style="list-style-type: none"> <li>• Metal to metal</li> <li>• Mechanical Galvanized</li> <li>• #3, #4 and #5 drill points</li> <li>• With or without washer</li> </ul>
	<ul style="list-style-type: none"> <li>• Metal to wood</li> <li>• Mechanical Galvanized</li> <li>• Low profile</li> <li>• T25 star drive</li> <li>• #10 Hi-Lo thread</li> </ul>
	<ul style="list-style-type: none"> <li>• Metal to wood</li> <li>• Zinc aluminum alloy cap</li> <li>• 50 year warranty</li> <li>• #10 Hi-Lo thread</li> </ul>
	<ul style="list-style-type: none"> <li>• Metal to metal</li> <li>• Zinc aluminum alloy cap</li> <li>• 50 year warranty</li> <li>• #3 and #5 drill points</li> </ul>
	<ul style="list-style-type: none"> <li>• Metal to wood</li> <li>• 304 series stainless steel cap</li> <li>• 25 year warranty</li> <li>• #10 Hi-Lo thread</li> </ul>
	<ul style="list-style-type: none"> <li>• Metal to wood</li> <li>• Mechanical Galvanized or 300 series stainless steel</li> <li>• EPDM washer 5/8" OD</li> <li>• Replace failing nails or screws</li> </ul>
	<ul style="list-style-type: none"> <li>• Metal to wood or metal to metal</li> <li>• Zinc plated or 300 series stainless steel</li> <li>• Low profile</li> </ul>
<p>Misc.</p>	<ul style="list-style-type: none"> <li>• Wafer head screws</li> <li>• Screws with wings</li> <li>• Wedge anchors</li> <li>• Rivets</li> <li>• Zip screws</li> <li>• Deck screws</li> </ul>

# Hard Workers. Easy Drivers.

With a variety of screws to choose from, you'll find Levi's has the perfect fastener for the job you're working on.



**Fastgrip™**



**Fastgrip™**  
MINI-DRILLER™



**Metalgrip™**



**LoGrip™**



**ProZ™**



**ProZ SD™**



 **ProCap™**



**ReGrip™**



**Pancake Head™**



# Fastgrip™



## Fastgrip™ #10 Hi-Lo



#10

- Mechanical Galvanized
- Hi-Lo threads
- Galvanized EPDM washer 1/2" OD
- Fastens metal to wood

Part#	Description	Head Style	Drill Point	Pcs/Bx	Lb/Box
101HL	#10 x 1"	1/4 Hex	T-17	3000	26.60
10112HL	#10 x 1-1/2"	1/4 Hex	T-17	2500	27.81
102HL	#10 x 2"	1/4 Hex	T-17	2000	26.49
10212HL	#10 x 2-1/2"	1/4 Hex	T-17	1500	23.71
103HL	#10 x 3"	1/4 Hex	T-17	1000	18.35

## Fastgrip™ Stitch



#12

- Mechanical Galvanized
- Galvanized EPDM washer 1/2" OD
- Fastens metal to wood

Part#	Description	Head Style	Drill Point	Pcs/Bx	Lb/Box
1234ST	#12 -14 x 3/4" Stitch	1/4 Hex	SP	3000	25.97

## Fastgrip™ #10 Hi-Lo MINI-DRILLER™



#10

MINI  
DRILLER

- Mechanical Galvanized
- Hi-Lo threads
- Galvanized EPDM washer 1/2" OD
- Fastens metal to wood

Part#	Description	Head Style	Drill Point	Pcs/Bx	Lb/Box
101MD	#10 x 1"	1/4 Hex	RP	3000	26.85
10112MD	#10 x 1-1/2"	1/4 Hex	RP	2500	27.94
102MD	#10 x 2"	1/4 Hex	RP	2000	27.35



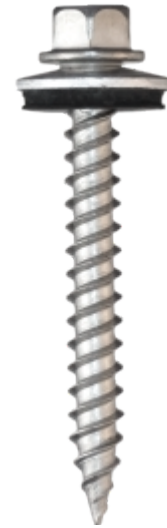
# Fastgrip™

## Fastgrip™ #9 Stainless



- 50 year warranty
- 300 series stainless steel
- Aluminum EPDM washer 1/2" OD
- Fastens metal to wood
- Easily drills through aluminum panels

Part#	Description	Head Style	Drill Point	Pcs/Bx	Lb/Box
91SS	#9 x 1"	1/4 Hex	SP	3000	24.20
9114SS	#9 x 1-1/4"	1/4 Hex	SP	2500	22.71
9112SS	#9 x 1-1/2"	1/4 Hex	SP	2500	26.05
92SS	#9 x 2"	1/4 Hex	SP	2000	24.77
9212SS	#9 x 2-1/2"	1/4 Hex	SP	1500	22.28
93SS	#9 x 3"	1/4 Hex	SP	1000	17.50



## Fastgrip™ #14



- Mechanical Galvanized
- Galvanized EPDM washer 14mm OD
- Use for OSB and other plywoods
- Great pull out resistance
- Fastens metal to wood

Part#	Description	Head Style	Drill Point	Pcs/Bx	Lb/Box
141FG	#14 x 1"	5/16 Hex	T-17	2000	28.61
14112FG	#14 x 1 1/2"	5/16 Hex	T-17	1500	27.78
142FG	#14 x 2"	5/16 Hex	T-17	1000	23.40
14212FG	#14 x 2 1/2"	5/16 Hex	T-17	500	14.19



# Metalgrip™



## Metalgrip™ w/washer



#12 #3 DRILL POINT

- Self-drilling #3
- Mechanical Galvanized
- Galvanized EPDM washer 15mm
- Fastens metal to metal

Part#	Description	Head Style	Drill Point	Pcs/Bx	Lb/Box
121434SD	#12 - 14 x 3/4"	5/16 Hex	#3	2500	27.96
12141SD	#12 - 14 x 1"	5/16 Hex	#3	2500	31.33
1214114SD	#12 - 14 x 1-1/4"	5/16 Hex	#3	2500	35.69
1214112SD	#12 - 14 x 1-1/2"	5/16 Hex	#3	2000	36.46
12142SD	#12 - 14 x 2"	5/16 Hex	#3	1500	29.38
1214212SD	#12 - 14 x 2-1/2"	5/16 Hex	#3	1000	23.92
12143SD	#12 - 14 x 3"	5/16 Hex	#3	500	13.75

## Metalgrip™ Stitch w/washer



#14 #1 DRILL POINT

- Self-drilling #1
- Mechanical Galvanized
- Galvanized EPDM washer 15mm
- Fastens metal to metal

Part#	Description	Head Style	Drill Point	Pcs/Bx	Lb/M
141478SD	1/4 - 14 x 7/8" Stitch	5/16 Hex	#1	2500	31.42



## Metalgrip™ w/o washer



#12 #3 DRILL POINT

- Self-drilling #3
- Mechanical Galvanized
- Fastens metal to metal

Part#	Description	Head Style	Drill Point	Pcs/Bx	Lb/Box
121434SDNW	#12 - 14 x 3/4"	5/16 Hex	#3	2500	26.29
12141SDNW	#12 - 14 x 1"	5/16 Hex	#3	2500	24.98
1214114SDNW	#12 - 14 x 1-1/4"	5/16 Hex	#3	2500	30.03
1214112SDNW	#12 - 14 x 1-1/2"	5/16 Hex	#3	2500	33.88
12142SDNW	#12 - 14 x 2"	5/16 Hex	#3	2000	34.49
1214212SDNW	#12 - 14 x 2-1/2"	5/16 Hex	#3	1500	31.06
12143SDNW	#12 - 14 x 3"	5/16 Hex	#3	1000	24.30





# Metalgrip™

## Metalgrip™ w/washer



- Self-drilling #5
- Mechanical Galvanized
- Galvanized EPDM washer 15mm
- Fastens metal to metal

Part#	Description	Head Style	Drill Point	Pcs/Bx	Lb/Box
1224114SDT5	#12 - 24 x 1-1/4"	5/16 Hex	#5	2500	36.34
1224112SDT5	#12 - 24 x 1-1/2"	5/16 Hex	#5	2000	31.82
12242SDT5	#12 - 24 x 2"	5/16 Hex	#5	2000	29.34



## Metalgrip™ #4 w/o washer



- Self-drilling #4
- Mechanical Galvanized
- Fastens metal to metal

Part#	Description	Head Style	Drill Point	Pcs/Bx	Lb/Box
122478SDT4NW	#12 - 24 x 7/8"	5/16 Hex	#4	2500	24.18

## Metalgrip™ #5 w/o washer



- Self-drilling #5
- Mechanical Galvanized
- Fastens metal to metal

Part#	Description	Head Style	Drill Point	Pcs/Bx	Lb/Box
1224114SDT5NW	#12 - 24 x 1-1/4"	5/16 Hex	#5	2500	29.91
1224112SDT5NW	#12 - 24 x 1-1/2"	5/16 Hex	#5	2000	27.03
12242SDT5NW	#12 - 24 x 2"	5/16 Hex	#5	2000	26.11



# ProZ™



## ProZ™

AVAILABLE IN ANY COLOR

#10

- 50 year warranty
- No red rust – Zinc aluminum alloy cap
- Hi-Lo threads
- EPDM rubber washer
- Fastens metal to wood

Part#	Description	Head Style	Drill Point	Pcs/Bx	Lb/Box
101PZ	#10 x 1"	5/16 Hex	T-17	2500	34.12
10112PZ	#10 x 1-1/2"	5/16 Hex	T-17	2000	31.56
102PZ	#10 x 2"	5/16 Hex	T-17	1500	27.32
10212PZ	#10 x 2-1/2"	5/16 Hex	T-17	1000	20.83
103PZ	#10 x 3"	5/16 Hex	T-17	500	23.35

## ProZ™ Stitch

AVAILABLE IN ANY COLOR

#12

- 50 year warranty
- No red rust – Zinc aluminum alloy cap
- EPDM rubber washer
- Fastens metal to wood

Part#	Description	Head Style	Drill Point	Pcs/Bx	Lb/Box
1234PZ	#12-14 x 3/4" (not Hi-Lo)	5/16 Hex	SP	2500	15.96

# ProZ™ SD



## ProZ™ SD

AVAILABLE IN ANY COLOR

#12

#5 DRILL POINT

- 50 year warranty
- Self-drilling #5
- No red rust - zinc aluminum alloy cap
- EPDM rubber washer
- Fastens metal to metal

Part#	Description	Head Style	Drill Point	Pcs/Bx	Lb/Box
1224114PZSD	#12-24 x 1 1/4"	5/16 Hex	#5	2500	43.01

## ProZ™ SD Stitch

AVAILABLE IN ANY COLOR

#14

#1 DRILL POINT

- 50 year warranty
- Self-drilling #1
- No red rust - zinc aluminum alloy cap
- EPDM rubber washer
- Fastens metal to metal

Part#	Description	Head Style	Drill Point	Pcs/Bx	Lb/Box
1478PZSD	1/4 x 14 x 7/8 Stitch	5/16 Hex	#1	2500	38.62



# ProZ™ SD



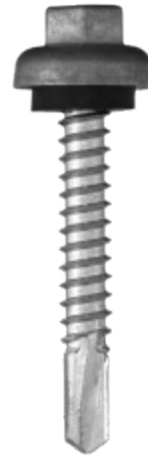
## ProZ™ SD



#12

#3  
DRILL  
POINT

- 50 year warranty
- Self-drilling #3
- No red rust - zinc aluminum alloy cap
- EPDM rubber washer
- Fastens metal to metal



Part#	Description	Head Style	Drill Point	Pcs/Bx	Lb/Box
121PZSD	#12-14 x 1"	5/16 Hex	#3	2500	37.62
12114PZSD	#12-14 x 1-1/4"	5/16 Hex	#3	2500	41.60
12112PZSD	#12-14 x 1 1/2"	5/16 Hex	#3	2000	36.84
122PZSD	#12-14 x 2"	5/16 Hex	#3	1500	32.52
123PZSD	#12-14 x 3"	5/16 Hex	#3	500	14.48

# ProCap™

## ProCap™ #10



#10

- 25 year warranty
- Rust-free 304 stainless steel cap
- Zinc plated carbon steel shank
- Hi-Lo threads
- EPDM rubber washer
- Fastens metal to wood



Part#	Description	Head Style	Drill Point	Pcs/Bx	Lb/Box
101PC	#10 x 1"	1/4 Hex	T-17	3000	28.11
10112PC	#10 x 1-1/2"	1/4 Hex	T-17	2500	27.91
102PC	#10 x 2"	1/4 Hex	T-17	2000	27.51
10212PC	#10 x 2-1/2"	1/4 Hex	T-17	1500	26.17
103PC	#10 x 3"	1/4 Hex	T-17	1000	19.79



## ProCap™ #12 Stitch



#12

- 25 year warranty
- Rust-free 304 stainless steel cap
- Zinc plated carbon steel shank
- EPDM rubber washer
- Fastens metal to wood

Part#	Description	Head Style	Drill Point	Pcs/Bx	Lb/Box
1234PC	#12-14 x 3/4 Stitch (not Hi-Lo)	1/4 Hex	SP	2500	25.98



ProZ™ SD

ProCap™



# LoGrip™



## LoGrip™



#10

- T25 Star drive
- Low profile
- Type 17
- Mechanical Galvanized
- Hi-Lo threads
- 1" available w/ or w/o washer
- EPDM rubber washer
- Fastens metal to wood

Part#	Description	Head Style	Drill Point	Pcs/Bx	Lb/Box
101LGNW	#10x1" No Washer	T25	T-17	3000	24.60
101LG	#10x1"	T25	T-17	3000	25.50
10112LG	#10x1-1/2"	T25	T-17	2500	26.00
102LG	#10x2"	T25	T-17	2000	25.60

# ReGrip™



## ReGrip™



#12

- Mechanical Galvanized
- EPDM washer 5/8" OD
- Replace failing nails or screws

Part #	Description	Head Style	Drill Point	Pcs/Bx	Lb/Box
12112RG	#12 x 1-1/2"	1/4 Hex	SP	2000	30.67
122RG	#12 x 2"	1/4 Hex	SP	1500	28.71
12212RG	#12 x 2-1/2"	1/4 Hex	SP	1000	22.69

## ReGrip™ Stainless Steel



#12

- 300 series SS
- EPDM washer 5/8" OD
- SS screws are ideal for fastening aluminum panels

Part #	Description	Head Style	Drill Point	Pcs/Bx	Lb/Box
12112RGSS	#12 x 1-1/2"	1/4 Hex	SP	2000	31.49
122RGSS	#12 x 2"	1/4 Hex	SP	1500	28.71
12212RGSS	#12 x 2-1/2"	1/4Hex	SP	1000	22.82



# Pancake Head

## Zinc Plated



#10

#3  
DRILL  
POINT

- Designed to fasten standing seam clips
- Fastens metal to wood or metal to metal
- One square driver bit per full box

Part#	Description	Head Style	Drill Point	Pcs/Bx	Lb/Box
101PH17	#10 x 1"	Phillips/Square	T-17	5000	33.94
10112PH17	#10 x 1-1/2"	Phillips/Square	T-17	2500	23.69
102PH17	#10 x 2"	Phillips/Square	T-17	2000	24.28
101PHSD	#10 x 1"	Phillips/Square	#3	5000	34.97
10112PHSD	#10 x 1-1/2"	Phillips/Square	#3	2500	24.19



## 300 Series Stainless Steel



#10

- Designed to fasten standing seam clips
- Fastens metal to wood
- One square drive bit per full box

Part#	Description	Head Style	Drill Point	Pcs/Bx	Lb/Box
101PHSS	#10 x 1"	#2 Square	SP	5000	37.97
10112PHSS	#10 x 1-1/2"	#2 Square	SP	2500	25.98



## Zinc Plated Low Profile



#10

- Designed to fasten flush and lay flat without dimpling or showing through the panel
- Ultra-thin pancake head
- Fastens metal to wood
- One square drive bit per full box

Part#	Description	Head Style	Drill Point	Pcs/Bx	Lb/Box
101PHLP	#10 x 1"	#2 Square	SP	5000	28.77
10112PHLP	#10 x 1-1/2"	#2 Square	SP	2500	26.83
102PHLP	#10 x 2"	#2 Square	SP	2000	23.25





T25 Star Drive



## Flat Head Deck Screws

#9

#10

- T25 star drive
- T-17 point
- ACQ approved

- 1500 hour salt spray coating
- Easy bucket storage
- Driver bits available

Part#	Description	Head Style	Drill Point	Pcs/ Bucket	Lb/M	Lb/ Bucket
92DS	#9 x 2"	T25 Star Drive	T-17	3000	8.17	24.53
9212DS	#9 x 2 1/2"	T25 Star Drive	T-17	2500	9.95	24.87
103DS	#10 x 3"	T25 Star Drive	T-17	1500	14.75	22.12
10312DS	#10 x 3 1/2"	T25 Star Drive	T-17	1000	17.62	17.62
104DS	#10 x 4"	T25 Star Drive	T-17	1000	19.76	19.76
105DS	#10 x 5"	T25 Star Drive	T-17	500	6.34	12.67

Note: Full bucket quantities only.



## Screws with Wings

#12

#14

#4  
DRILL  
POINT

- Zinc plated
- Fastens wood to heavy gauge metal

Part#	Description	Head Style	Drill Point	Pcs/Bx	Lb/Box
122PW	#12 - 24 x 2"	#3 Phillips	#4	2000	31.06
12212PW	#12 - 24 x 2-1/2"	#3 Phillips	#4	1000	14.55
14314PW	#14 - 20 x 3-1/4"	#3 Phillips	#4	1000	34.33
14334PW	#14 - 20 x 3-3/4"	#3 Phillips	#4	1000	38.87



# Wafer Head Screws

## Sharp Point



#8

- Zinc plated
- Fastens metal to wood or metal to metal

Part#	Description	Head Style	Drill Point	Pcs/Bx	Lb/Box
8916PWSP	#8 x 9/16"	#2 Phillips	SP	10000	34.97
834PWSP	#8 x 3/4"	#2 Phillips	SP	8000	34.29
81PWSP	#8 x 1"	#2 Phillips	SP	5000	28.42
8114PWSP	#8 x 1-1/4"	#2 Phillips	SP	5000	32.66
8178PWSP	#8 x 1-7/8"	#2 Phillips	SP	4000	33.89



## Self-Drilling



#8

#2  
DRILL  
POINT

- Zinc plated
- Fastens metal to metal

Part#	Description	Head Style	Drill Point	Pcs/Bx	Lb/Box
812PWSD	#8 x 1/2"	#2 Phillips	#2	10000	35.63
834PWSD	#8 x 3/4"	#2 Phillips	#2	10000	38.87
81PWSD	#8 x 1"	#2 Phillips	#2	8000	44.05
8114PWSD	#8 x 1-1/4"	#2 Phillips	#2	6000	40.54



## Zip Screws



#7

- 410 series stainless steel
- For gutter applications

Part#	Description	Head Style	Drill Point	Pcs/Bx	Lb/Box
712Z	#7 x 1/2"	1/4 HWH	SP	12,000	36.42





## Wedge Anchors

- Creates a secure anchor as wedge expands
- Carbon steel, zinc-plated
- Ideal to anchor objects in solid concrete or grout-filled concrete masonry
- One-piece grip ensures uniform holding capacity that increases as tension is applied

Part#	Description	Pcs/Box	Pcs/Case	Lb/Box
WA383	3/8" x 3"	100	500	9.73
WA38334	3/8" x 3-3/4"	100	500	11.71
WA12234	1/2" x 2-3/4"	50	250	8.82
WA12414	1/2" x 4-1/4"	25	125	6.15
WA12512	1/2" x 5-1/2"	25	125	7.44
WA58412	5/8" x 4-1/2"	25	125	10.26
WA586	5/8" x 6"	25	125	13.02
WA34512	3/4" x 5-1/2"	20	80	14.78
WA347	3/4" x 7"	10	50	8.94
WA3410	3/4" x 10"	10	50	12.05



## Rivets

Designed to attach trim on standing seam metal roofing jobs, assemble cupolas and other metal fabrication items.

- #43 300 series stainless steel rivets
- Many architectural colors in stock
- Bags of 250
- Rivet tool available

Part#	Description	Pcs/Bx	Lb/Box
43***	300 Series SS Rivets	10,000	30.26
RK65	Rivet Tool	1	1.31

### Colors In-Stock:

Aged Copper	Colonial Red	Ivory	Regal White
Ash Gray	Copper	Mansard Brown	Sandstone
Bone White	Crimson Red	Matte Black	Sierra Tan
Burgundy	Dark Bronze	Medium Bronze	Slate Blue
Champagne	Evergreen	Musket Gray	Slate Gray
Charcoal Gray	Hartford Green	Patina Green	Stone White
Clay	Hemlock Green	Regal Blue	Teal
		Regal Red	Terra Cotta



## Paint Pens

Use for quick fixes to provide long-lasting and reliable cover up of small scratches.

- 3 year shelf life
- Allows quick and easy touch-up

Part#	Description	Lb/Pc
PP***	Metal Roofing Touch-Up Paint	.05





## Driver Bits

Part#	Description	Pcs/Pk	Lb/Pk
12SQ	#1 Square	100	2.50
22SQ	#2 Square	100	2.51
23SQ	#3 Square	100	2.54
14SHXM	1/4 Hex Lobular Nut Setter (Magnetic) 1-7/8"	100	4.39
14HXM	1/4 Hex Lobular Nut Setter (Magnetic) 2-9/16"	100	5.66
516HXM	5/16 Hex Lobular Nut Setter (Magnetic) 2-9/16"	100	6.46
516SHXM	5/16 Hex Lobular Nut Setter (Magnetic) 1-7/8"	100	5.20
38HXM	3/8 Hex Lobular Nut Setter (Magnetic) 2-9/16"	100	2.41
12PH	#1 Phillips	100	2.41
22PH	#2 Phillips	100	2.47
32PH	#3 Phillips	100	2.76
T25BITS	T25 Star Drive	100	2.60



## Spring Nut Setters

- Spring with ball bearing secures the screw during installation
- Non-magnetic design avoids trapped metal debris
- Works great with our Fastgrip™ SS, ProZ™, and ProCap™ screws

Part#	Description	Pcs/Pk	Lb/Pk
14SNS	1/4 Spring nut setter 2-9/16"	100	5.39
516SNS	5/16 Spring nut setter 2-9/16"	100	6.20
38SNS	3/8 Spring nut setter 2-9/16"	100	7.42



## Dekfast Washers

- Use with most #12 screws metal to wood or metal to metal
- Recommended for use with polycarbonate skylight panels/side light panels

Part#	Description	Pcs/Pk	Diameter	Lb/Bag
POLYWASHER12	Poly washer, Gray	250	19	1.09



# Snow DEFENDER®

## Relentless Safety.

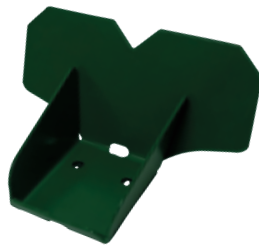
Residential and commercial metal roofing Snow Guards.

Snow Defender®

Exposed Fastener



4500



1500

### Guards Made to Last

Our stainless steel Snow Defender® line is made from quality grade and heavy gauge stainless steel that will not corrode. Our non-metal guards are made from polycarbonate lexan, making them durable and resistant to damage from UV rays.

### Enduring Powder Coat

Our stainless steel Snow Defender® line is available powder coated or mill finish. Each powder coated Snow Defender® receives a high quality powder coating for vibrant and lasting color, with each going through a 7 bath extended process for increased adhesion and durability.

Standing Seam



6500



7500 DECO™



85RF DECO™

### Snow Defender® 15 Year Warranty

Our stainless steel Snow Defender® line is backed by a 15 year warranty.

Polycarbonate



PC240



BUSTER

### Made in the USA

Every Snow Defender® is manufactured from start to finish in the United States.





AVAILABLE IN  
40+ COLORS

## Snow Defender® 4500

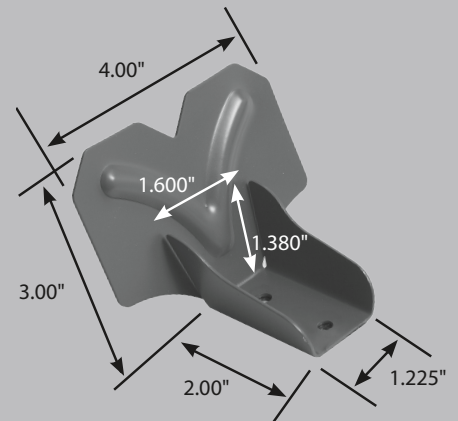
**For exposed fastener panels:** on 2x4 purlins in the flat position (*Not for use with standing seam roofing*)

- 16 gauge type 304 stainless steel
- EPDM rubber sealer
- Powder coated or mill finish
- No caulk needed
- Patented
- Made in USA
- 15 year warranty

Part#	Description	Pcs/Bx	Lb/Bx
SD45	Snow Defender® 4500	50	15.10



EPDM rubber sealer



**DON'T  
GUESS!**



Scan it now!

Enter simple data and get an  
**ACCURATE QUANTITY & PLACEMENT**  
with our EASY online calculator.

Calculate the right system at:  
[www.SnowDefenderCalculator.com](http://www.SnowDefenderCalculator.com)



Snow Defender®



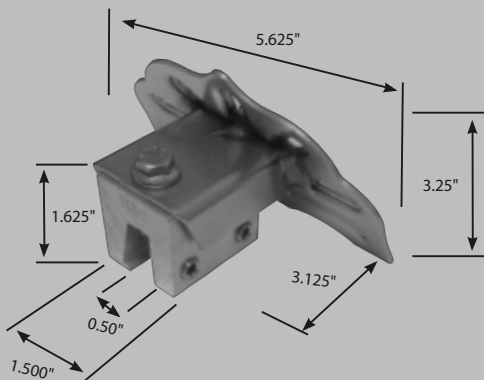


## Snow Defender® 85RF DECO™

The most versatile snow guard for standing seam roofing. Designed as a versatile snow guard that fits vertical seam profiles for S-5!® U, S, N, V clamps (sold separately).

- Type 304 stainless steel
- Does not penetrate metal
- Powder coated or mill finish
- No caulk needed
- Patented
- Fits multiple standing seam profiles
- Aligns squarely on roof every time
- Made in the USA
- 15 year warranty

Part#	Description	Pcs/Bx	Lb/Bx
SD85RF	Snow Defender® 85RF DECO™	32	22.84



**DON'T GUESS!**



Scan it now!

Enter simple data and get an **ACCURATE QUANTITY & PLACEMENT** with our EASY online calculator.

Calculate the right system at: [www.SnowDefenderCalculator.com](http://www.SnowDefenderCalculator.com)





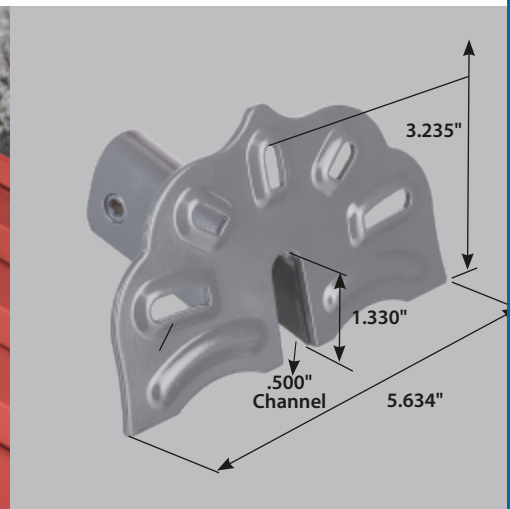
## Snow Defender® 7500 DECO™

For standing seam roofing: fits standing seams up to 3/8" width, and most 1" through 1-3/4" seam heights



- Type 304 stainless steel will not corrode
- Does not penetrate metal
- Powder coated or mill finish
- Excellent fade resistance
- No caulk needed
- Patented
- Damage free packaging
- Made in the USA
- 15 year warranty

Part#	Description	Pcs/Bx	Lb/Bx
SD75	Snow Defender® 7500 DECO™	32	30.92



## 6500

Part#	Description	Pcs/Bx	Lb/Bx
SD65	Snow Defender® 6500	32	30.95



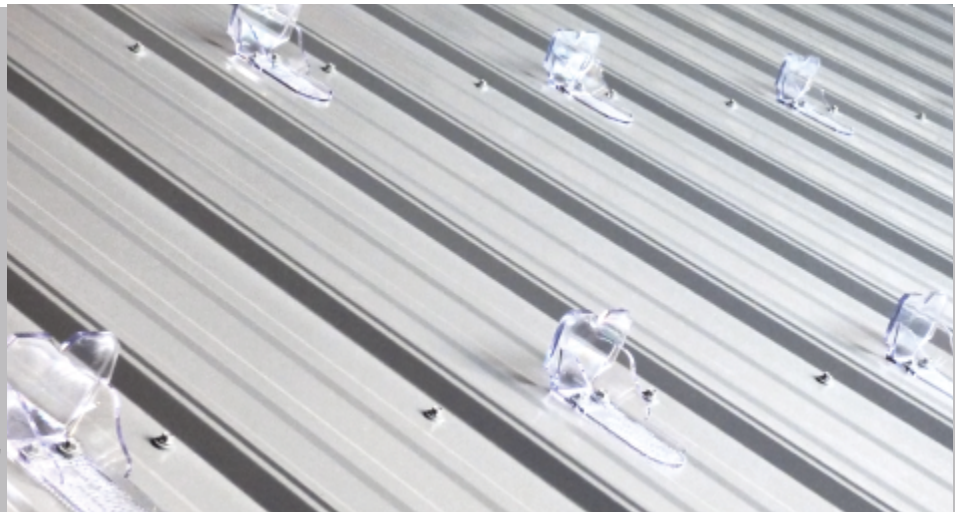
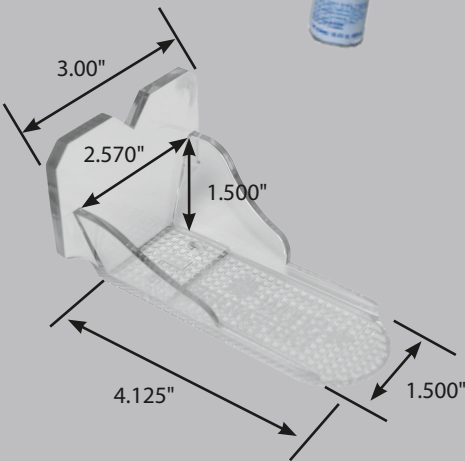
## Snow Defender® PC240

**An all polycarbonate snow guard that is clear and virtually invisible!**

- Polycarbonate Lexan 103-112
- UV stable
- Very strong
- Mount with screws and adhesive recommended
- Value priced
- Patented
- Made in USA



SB 190  
Adhesive  
In-stock



Part#	Description	Pcs/Bx	Lb/Bx
PC240	Snow Defender® PC240	50	6.41



**DON'T GUESS!**



Scan it now!

Enter simple data and get an **ACCURATE QUANTITY & PLACEMENT** with our EASY online calculator.

Calculate the right system at:  
[www.SnowDefenderCalculator.com](http://www.SnowDefenderCalculator.com)





## Snow Defender® BUSTER

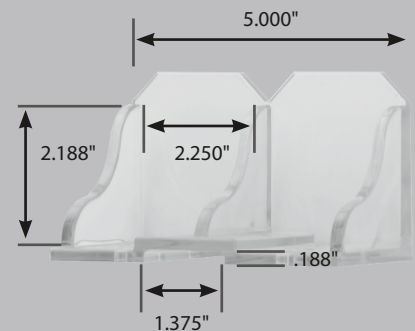
**An all polycarbonate snow guard that is clear and virtually invisible!**

- Polycarbonate Lexan 103-112 (3/16" thick!)
- UV stable
- Heavy duty
- Mount with screws and adhesive recommended
- Value priced
- Patented
- Made in USA



Part#	Description	Pcs/Bx	Lb/Bx
SDBUS	Snow Defender® BUSTER	50	18.10

SB 190  
Adhesive  
In-stock



**DON'T  
GUESS!**



Scan it now!

Enter simple data and get an **ACCURATE QUANTITY & PLACEMENT** with our EASY online calculator.

Calculate the right system at:  
[www.SnowDefenderCalculator.com](http://www.SnowDefenderCalculator.com)



Snow Defender®





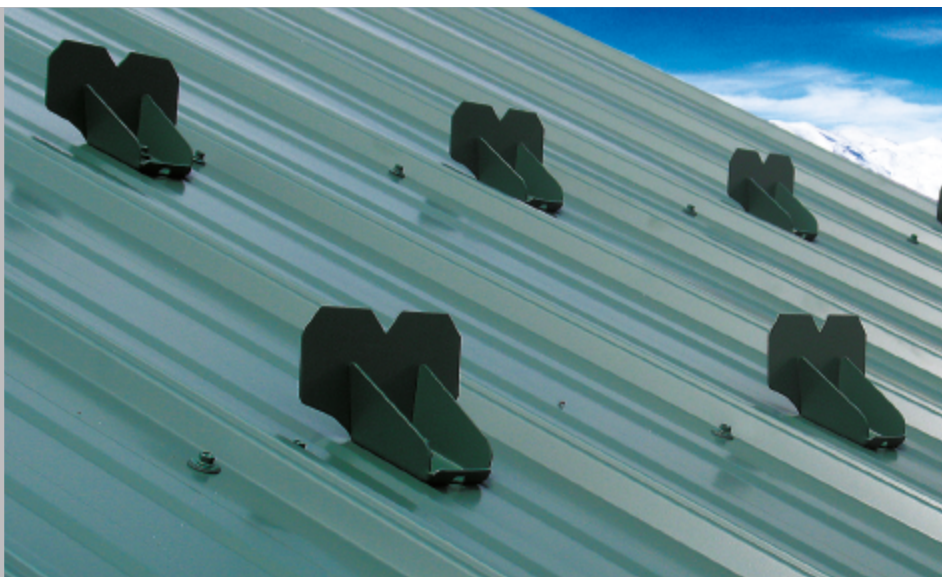
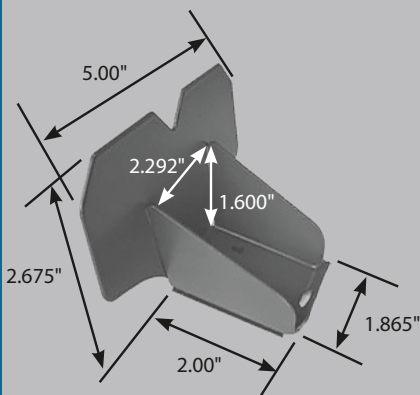
EPDM rubber sealer

## Snow Defender® 1500

**For exposed fastener panels:** on 2x4 purlins in the upright or flat position *(Not for use with standing seam roofing)*

- 16 gauge type 304 stainless steel
- EPDM rubber sealer
- Powder coated or mill finish
- No caulk needed
- Patented
- Made in USA
- 15 year warranty

Part#	Description	Pcs/Bx	Lb/Bx
SD15	Snow Defender® 1500	50	19.39



**DON'T GUESS!**



Scan it now!

Enter simple data and get an **ACCURATE QUANTITY & PLACEMENT** with our EASY online calculator.

Calculate the right system at: [www.SnowDefenderCalculator.com](http://www.SnowDefenderCalculator.com)





# S-5!®



- No panel penetration
- Unequaled holding strength
- Will not damage the roof or finish
- Does not violate the panel's thermal movement
- Manufactured from mill finished aircraft quality aluminum
- Made in USA

## S-5!® Colorgard®

Part#	Items In Stock	Lb/Each
S5N	S-5!® N Clamp*	0.43
S5S	S-5!® S Clamp*	0.38
S5U	S-5!® U Clamp*	0.38
S5V	S-5!® V Clamp*	0.38
S5CR	S-5!® Aluminum ColorGard Rail (8')	3.88
S5CRP	S-5!® Aluminum ColorGard Rail Punched 4" OC (8')	3.96
S5COR	S-5!® CorruBracket™ (bolt not included)	0.15
S5CLIPII	S-5!® Snoclip II (Up to 2" seam height)	0.19
S5CLIPIII	S-5!® Snoclip III	0.29
S5VER	S-5!® Versa Clip	0.05
S547	S-5!® 47 Versa Bracket	0.15
S5N15	S-5!® N 1 1/2"	0.44
S5CLIPIIRETRO	S-5!® Snoclip II Retrofit	0.13
S5CLIPIIIRETRO	S-5!® Snoclip III Retrofit	0.16

\*Can be used with the Snow Defender® 85RF DECO™



## S-5!® Accessories

Part#	Items In Stock	Lb/Each
S5E	S-5!® E Clamp	0.23
S5T	S-5!® T Clamp	0.51
S5PV	S-5!® Solar Clip PV Kit	0.14
10S5B	10 mm SS Bolt 5/8 inch long	0.06
S5TMINI	S-5!® T Mini	0.30
S5UMINI	S-5!® U Mini	0.24
S5B	S-5!® B Clamp	0.46
S5U-H90	S-5!® Universal H90 Clamp	0.38
S5U-H90MINI	S-5!® Universal H90 Mini Clamp	0.19
S5Z	S-5!® Z Clamps	0.43
8M16MFB	8mm x 16mm Flange Bolt - 47 Versa Bracket	0.04
8MMNUT	8mm SS Flanged Nut	0.02

Other S-5!® products available as special order.

**DON'T  
GUESS!**



What S-5!® parts  
do you need?  
Use the calculator at  
[www.S-5.com/calculator](http://www.S-5.com/calculator)

S-5!®





## Swenson Shear



Strong and reliable, the #1 roofing tool on the market. Saves time by providing a clean cut with a single stroke. Powder coated for lasting durability through all weather conditions.



- Shear straight at 90 degrees
- Shear down to 24 gauge
- Made in USA
- Replaceable blade inserts
- Powder coated, weather and rust resistant frame

Part#	Description	Lb/Each
42SHR	R Panel Shear -36" Coverage Panel, 12" OC, 1-1/4" Rib Height	125.00
42SHAG	Ag Panel Shear - 36" Coverage Panel, 9" OC, 3/4" Rib Height	125.00
AGBL	Ag Panel Extra Blade Set	18.50



Clip-on Hanger



Pro-Hanger



Pro Hanger  
For Hem-Back Gutter

## Gutter Hangers

Stylish brackets give each gutter it's strength and support, providing ease of maintenance. Easily fastened and adjusted once installed.

- 5" & 6" In stock
- Aluminum hangers
- Made in the USA

Part#	Description	Pcs/Bx	Lb/Box
5H	5" Clip on Hidden Hanger	1000	39.20
5HBH	5" Clip on Hidden Hanger for Hem-Back gutter	1000	34.60
5PH	5" Screw on Hidden Pro-Hanger	100	9.20
5PHHB	5" Screw on Hidden Pro-Hanger for Hem-Back gutter	100	8.95
6H	6" Clip on Hidden Hanger	500	32.50
6PH	6" Screw on Hidden Pro-Hanger	75	10.43
6PHHB	6" Screw on Hidden Pro-Hanger for Hem-Back gutter	75	9.27

**Other sizes available. Call for pricing.**



## QuickLath™

A quick and easy spacer material to use when installing a metal roof over existing shingles...the better way!

- Cross-linked polyethylene
- Allows airflow and ventilation between the old and new roofing material
- Creates smoother roof panels (no warped wood spacers)
- Use multiple layers to even out existing roof inconsistencies
- Very easy to use and cuts easily
- Use in place of furring strips



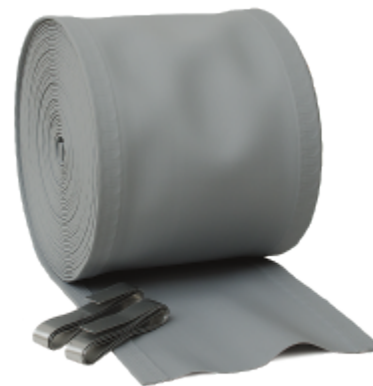
Part#	Description	Width	Length	Ft/Roll	Rolls/Bx	Lb/Bx
QUILAT	QuickLath	2-1/2"	300'	150'	2	6.68



## Dekstrip™

Expandable edge flashing that stretches to any shape, seals, and stays.

- Gray TPE has a continuous service temperature range of -58° F to +240° F
- Serpentine edges stretch up to 25% for added length
- Paintable after installation
- Expands around almost any profile - ideal for square ducts, chimneys and skylights
- Absorbs vibration and handles expansion



Part#	Description	Width	Length	Rolls/Bx	Lb/Bx
DEKSTR9	9" Dekstrip	9"	75'	1	30.12
DEKSTR12	12" Dekstrip	12"	75'	1	36.62
DEKSTR109	9" Dekstrip	9"	10'	1	4.97
DEKSTR18	18" Dekstrip	18"	50'	1	35.06



## Dek-Cap™ Universal End Cap Flashing

- Flexible, corrosion resistant aluminum base conforms to the majority of standing seam roof panels
- Continuous service temperature range of -40° F to +250° F

Part#	Description	Width	Length	Height	Pcs/Bx	Lb/Bx
UNIDEKCAP	Dek-Cap™	7-1/4"	5-3/4"	3-5/16"	10	2.95





## Expanding Foam Sealant

Ensure a weather tight seal with Emseal®, a self-adhering, flexible foam sealant which expands to fill contours and gaps. Use Emseal® to seal out dust, air, wind-driven snow and moisture through joint details in metal buildings and roofs. Suitable for use against metal, plastic, wood, concrete and other common metal building materials. Emseal® expanding sealant is UV-stable and will not dry out and become hard or brittle. The Expanding Foam Sealant maintains a seal during thermal expansion and contraction of building panels. The sealant has a self-adhesive on one side.

- UV stable
- Will not dry out or become hard and brittle
- Self-adhering
- Highly resistant to bugs and vermin
- Conforms to contours and fills gaps
- Good thermal and sound insulator

Part#	Height	Width	Length	Pcs/Bx	Lb/Roll
EM1	1"	1"	19.68'/roll	26	0.64
EM112	1-1/2"	1"	13.12'/roll	24	0.67

## Butyl Tape

Protect and seal trims, seams and vents on metal roofs with long-lasting protection against the elements. Achieve a reliable and superior seal which easily adheres to multiple materials.

- Greater cohesive strength
- Superior adhesive strength
- Withstands extreme roof temperature
- Cold flow resistant



Part#	Description	Rolls/Cs	Lb/Cs
BT316	3/16" Bead x 25'	48	36.09
BT38	3/8" x 3/32" x 45'	48	62.15
BT12	1/2" x 3/32" x 50'	20	40.91
BT34	3/4" x 3/32" x 50'	14	40.22
BT1	1" x 3/32" x 50'	10	39.01
BT78	7/8" x 3/16" x 25' Double Bead	24	59.99
BT212	2-1/2" x 3/16" x 20' Triple Bead	6	20.51



## Closure Strips

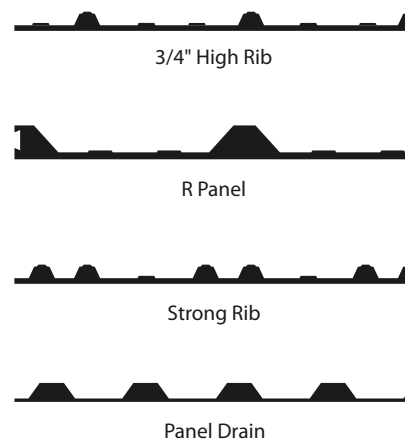
High-density foam filler strip available with an adhesive that stays tacky even in cold weather.

- Available with or without adhesive
- Cross-linked polyethylene
- 1.5 lb. - 2 lb. density

Part#	Description	Length	Width	Pcs/Bx	Lb/Bx
34COG	3/4" High Rib Outer w/glue	36"	1"	100	4.97
34CIG	3/4" High Rib Inner w/glue	36"	1"	100	3.47
34CO	3/4 High Rib Outer	36"	1"	100	3.98
34CI	3/4 High Rib Inner	36"	1"	100	2.66
RPCO	R Panel Outer	36"	1"	100	6.06
RPCI	R Panel Inner	36"	1"	100	3.42
RPCOG	R Panel Outer w/glue	36"	1"	100	7.02
RPCIG	R Panel Inner w/glue	36"	1"	100	4.16
34SRG	Strong Rib Outer (Only stock with adhesive)	36"	1"	100	5.16
PDCG`	Panel Drain Outer (Symmetrical)	36"	1"	100	4.60



Profiles Available:



## Universal Closure

An economical option to seal and fill any space under ridge caps, trim and other openings between metal panels. Universal Closure is made of open cell polyurethane foam and easily compresses or expands as necessary to fill gaps between panels.

- Long-lasting polyurethane foam
- Easy to install 25' rolls with adhesive strip
- Flexible open cell design compresses and expands easily to fit gaps

Part#	Description	Length	Width	Height	Pcs/Bag	Lb/Bx
UC11	Universal Closure	25'	1"	1"	10	2.54
UC112	Universal Closure	25'	1"	1-1/2"	10	3.32



# FastVent™

## PLUS

### FastVent™ Plus Metal Roofing Ridge

FastVent™ Plus provides ventilation and uniform air flow for the proper maintenance of metal roofs. Uniquely engineered breathable closure strips eliminate any leak path into the ridge area by completely sealing against the panel profile. This form-fit reduces wind-driven rain problems to a minimum. Closed cell polyethylene completely surrounds the open-cell venting foam.



Fastvent™ Plus AG Panel



Fastvent™ Plus R Panel

- Tight seal
- Low profile
- Rugged construction
- Fire retardant & UV stable
- Superior venting
- Contractor friendly, easy to install
- Permanent glue strips

Part#	Description	Width	Length	Ft per bx	Pcs/Bx	Lb/Bx
FASPLU	FastVent™ Plus Ag Panel	1-3/4"	3'	75'	25	3.28
FASPLURP	FastVent™ Plus R Panel	1-3/4"	3'	60'	20	3.33



# FloVent®

# FloVent® R120

## Flovent® Metal Roofing Ridge Vent

FloVent® and FloVent® R120 are simple solutions which easily install on varying roof profiles. Protect your building and prolong the life of your roof. The foam construction prevents weather element damage.

- Fits many profiles
- Increases the longevity of metal roofing
- Contractor friendly
- Easy installation with adhesive strip
- Can be installed on the ridge cap or on the roof
- Fire retardant & UV stable

### Flovent®

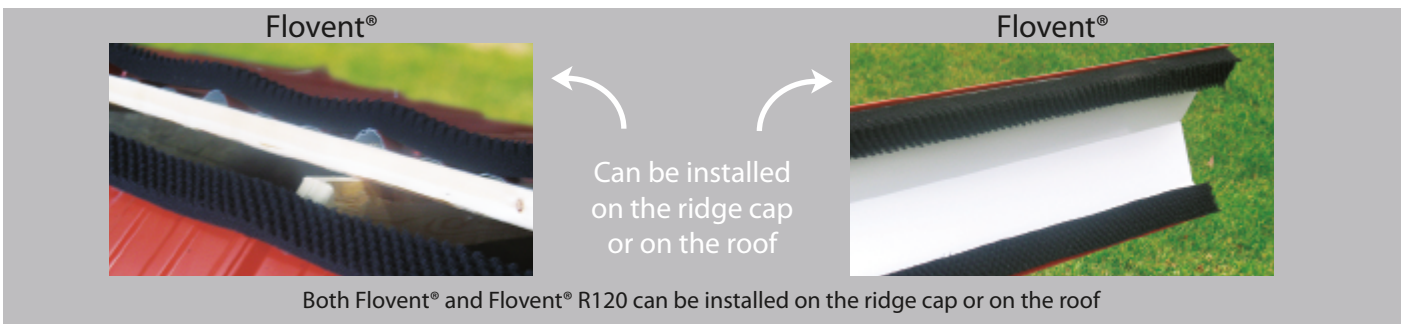
Part#	Description	Width	Length	Pcs/Bx	Lb/Box
FV112	1-1/2" For 7/8" or lower rib heights	2"	10'	10	4.57
FV134	1-3/4" For 1" - 1-1/4" rib heights	2"	10'	10	5.21

### Flovent® R120

Part#	Description	Width	Length	Pcs/Bx	Lb/Box
FVR120	1" thick for 7/8" or lower rib heights	2"	20'	10	7.20



Flovent®/Flovent®R120



## Perform Vent

Part#	Description	Width	Length	Pcs/Bdl	Lb/Bdl
COBVENT	Polyester fiber, coated, non woven	3"	50'	2	5.96



Perform Vent





## WeatherMaster X-TREME Foam™



- Higher yield than other sealants
- Easy clean up
- Sets sooner than other sealants
- Available in 12 oz and 24 oz cans

Part#	Description	Pc/Bx	Lbs/Bx
XF17862	Dispensing Unit 2 pack	2	2.13
XF8551	Gun Cleaner 12 oz	12	13.43
XF8522	Multipurpose Gun Foam 24 oz can	12	22.95
XF8521	Multipurpose Straw Foam 12 oz can	12	13.01
XF8532	Window & Door Gun Foam 24 oz	12	23.06
XF8531	Window & Door Straw Foam 12 oz	12	13.01
XF8542	Fire Block Gun Foam 24 oz	12	22.85
XF8541	Fire Block Straw Foam 12 oz	12	12.79

Sold in box quantities only.

Titebond®



## WeatherMaster™ Metal Roof Sealant

- Permanent flexibility—won't crack
- Green build approved
- Extrudes down to 0°F
- UV resistant
- Unbeatable adhesion to Kynar™
- Fills gaps
- Ultra low VOC



Part#	Description	Pcs/Cs	Lbs/Bx
T61***	WeatherMaster™ Metal Roof Sealant Clear	12	13.05

<b>Metallic</b>			<b>White</b>						<b>Beige</b>									
<b>Black</b>			<b>Brown</b>						<b>Green</b>									
<b>Yellow</b>			<b>Bronze</b>						<b>Gray</b>									
			<b>Blue</b>						<b>Red</b>									
									<b>Gray</b>									

\*Not all Colors in stock







## Post Foundation Anchor System

- Galvanized or hot dipped galvanized\* versions
- Easy and quick to install
- Low cost
- Stronger than rebar
- Lightweight and easy to handle
- Protects center post from the elements
- Resists decay
- Can be applied in the field or in advance
- Creates a strong bond
- Use with concrete applications

Part#	Description	Height	Width	Pcs/Bx	Lb/Box
UPLPLA	Galvanized	6-5/8"	3"	50	15.18
UPLPLAHD	Hot Dipped Galvanized*	6-5/8"	3"	50	16.47

\*IBC Approved



**Uplift Plate™** is designed to help the post frame builder save time, money and meet or exceed the post uplift requirements. These inexpensive plates can be field-applied with just a framing hammer, eliminating the need for extra tools and time associated with rebar and other uplift technology.

Hot Dipped  
Galvanized Coated

IBC Approved 2006, 2009, 2012  
for Underground Application





## Pipe Flashing

Metal Roof Boots that give long lasting performance from a proven leader in the industry. DEKS roof boots are easy to install and provide a cone design that conforms easily to a range of roof pitches. Clearly marked cutting grooves make it easy to size correctly.



EPDM Black



EPDM Gray



Red Silicone  
Hi-Temp



Gray Silicone  
Hi-Temp

Available in #3, #5, #8 and #9 Round

- Contractor friendly
- Cone design seals securely
- Clearly marked cutting grooves
- Long lasting performance
- 20 year DEKS warranty
- Round or Square
- Superior high and low temperature resistance
- Lots of color choices

### Round

Part#	Description	Pcs/Bx	Lb/Bx
RD1 #1	1/4" - 2-1/2"	10	2.24
RD2 #2	1-3/4" - 3"	10	3.88
RD3 #3	1/4" - 5"	10	5.55
RD4 #4	3" - 6-1/4"	10	9.88
RD5 #5	4-1/4" - 7-3/4"	5	6.57
RD6 #6	5" - 9"	5	8.82
RD7 #7	6" - 11"	5	11.29
RD8 #8	7" - 13"	5	13.25
RD9 #9	10" - 19"	2	11.31

Additional Colors Available in #3, #5 and #8 Round:



#### High temperature resistance

Constant

115°C (239°F)

200°C (392°F)

Intermittent

150°C (302°F)

250°C (482°F)

#### Low temperature resistance

-50°C (-58°F)

-50°C (-58°F)

Tensile set max

10MPa (1450 psi)

5MPa (700 psi)





- In Stock: Black EPDM 500, Gray EPDM 500, and Red silicone (high temperature)
- 20 year DEKS warranty

## Square

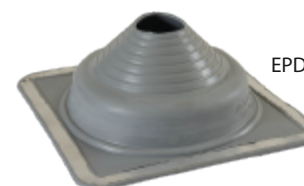
Part#	Description	Pcs/Bx	Lb/Bx
SQ1 #1	1/4" - 2"	15	3.50
SQ2 #2	1/4" - 3"	15	5.97
SQ3 #3	1/4" - 5"	15	10.49
SQ4 #4	3" - 7"	10	9.37
SQ5 #5	4" - 8"	10	12.20
SQ6 #6	5" - 9"	10	15.59
SQ7 #7	6" - 12"	10	24.35
SQ8 #8	7" - 14"	5	16.01
SQ9 #9	9" - 20"	5	30.39



Red Silicone Hi-Temp



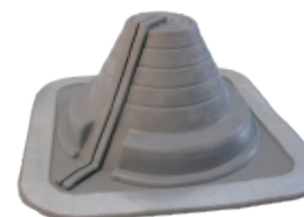
EPDM Black



EPDM Gray

## Square Combo Retrofit

Part#	Description	Pcs/Bx	Lb/Bx
SC3 #3	1/4" - 5"	15	10.40
SC6 #6	5" - 9"	10	16.01
SC9 #9	9-1/4" - 20"	5	29.61
SC10 #10	16" - 29 1/2" Available in black only	1	16.71
SC6HTRED #6	5"-9" Red Hi-Temp	10	12.79
SC9HTRED #9	9-1/4" - 20" Red Hi-Temp	5	30.40



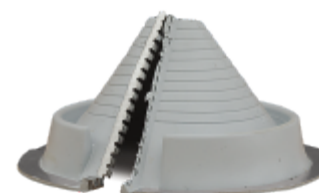
## Square Base Extreme Angle

Part#	Description	Pcs/Bx	Lb/Bx
EA1BLA	1/4" - 5-3/4" Available in black only	5	5.48
EA2HTRED	6" Red Hi Temp	5	5.48



## Round Base Retrofit

Part#	Description	Pcs/Bx	Lb/Bx
RF1 #1	3/4" - 2-3/4"	10	4.01
RF2 #2	2" - 7-1/4"	5	5.88
RF3 #3	3-1/4" - 10"	5	9.53





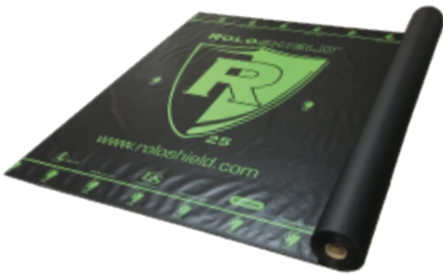
## Roloshield Synthetic Roofing Underlayment

Contractor friendly, **Roloshield™**, is lightweight, stronger than felt and is faster to install. Use less rolls to cover more roof and lower your installed cost by using this 100% polypropylene synthetic roofing underlayment. **Roloshield™** lays flat and is water resistant with superior drapability in valleys and on ridges and hips. Speedy installation is achieved by using the **Roloshield™** pre-printed nailing pattern and its self-sealing properties prevent water from ever getting in. Extended UV resistance provides installation opportunities on hot sunny days and provides a cooler working surface. **Roloshield™** is Class A fire rated, Code Approved and its surface is the most slip resistant in the industry. You can count on the long lasting performance and ease of installation of **Roloshield™**

- Can be used under wood, shingle or metal roofs
- Pre-printed nailing pattern
- The most slip resistant in the industry

### RoloShield™ 25

- Green technology - the green answer to 15# asphalt felt paper
- The most slip resistant in the industry
- 25 times stronger than 15# felt
- Pre-printed nailing pattern
- 25 year warranty
- Manufactured from post-industrial manufactured material

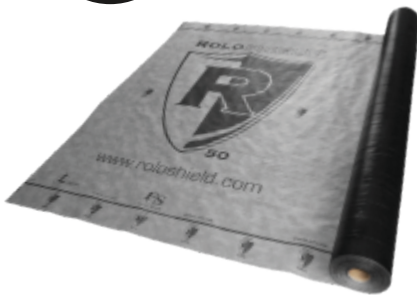


Part#	Description	Rolls/Pallet	Lbs/Rolls
ROLO25	Roloshield™ 25	48	21.16





## Roloshield Synthetic Roofing Underlayment



### RoloShield™ 50

- The most slip resistant in the industry
- 10X lighter per square than 30# felt
- UV resistant and can be exposed for up to 6 months when nailed with plastic roof cap nails
- 20 times stronger than felt
- Pre-printed nailing pattern
- 50 year warranty

Part#	Description	Rolls/Pallet	Lbs/Roll
ROLO50	Roloshield™ 50	35	21.44



### RoloShield™ Lifetime

- The most slip resistant in the industry
- 10X lighter per square than 30# felt
- UV resistant and can be exposed for up to 6 months when nailed with plastic roof cap nails
- 20 times stronger than felt
- Pre-printed nailing pattern
- Limited lifetime warranty

Part#	Description	Rolls/Pallet	Lbs/Roll
ROLOL	Roloshield™ Lifetime	35	26.01

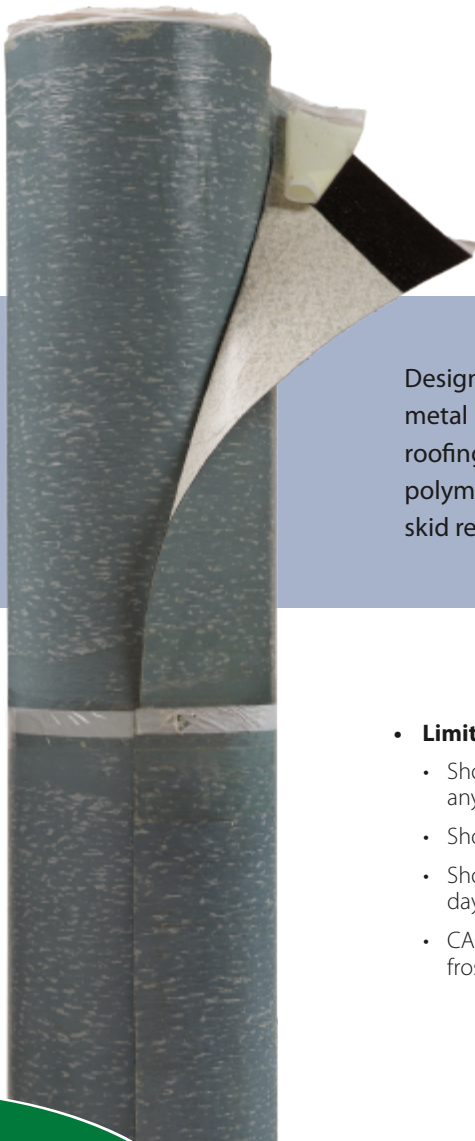




## HT (High Temperature) Ice & Water Protector

- High temperature resistance of 240° F
- Installs in most hot weather conditions
- Meets or exceeds industry standards and residential/commercial codes (ASTM D-1970)
- Self sealing: seals around nails, staples and screws
- Self-adhering: bonds directly to the roof substrate
- Excellent for under metal, slate or tile
- Made in the USA
- 1.95 SQ per roll

Part#	Description	Width	Length	Pallet	Lb/Roll
ICEWAT	Alco Shield™ HT	36"	65'	36	49.03



Designed to be used under standing seam metal roofing, metal shingles and metal roof panels, Levi's **Alco Shield™ HT Ice and Water Protector** protects roofing structures against water from wind driven rain or ice dams. Made of a polymer modified asphalt membrane, it is reinforced with fiberglass for a smooth, skid resistance surface.

### • Limitations:

- Should not be applied over shingles or underlayment of any sort
- Should not be applied over damp surfaces
- Should not be left exposed to sunlight for more than 90 days
- CAUTION!! Surface can be slippery if wet or covered with frost



# Metal Wrap Woven Polypropylene Protector

- Easy to apply
- Lightweight
- Inexpensive
- Two-color business logo imprint on Metal Wrap 54 and 48 – no extra charge
- Tear resistant (one of the highest in the industry) - 34 lbs. per square inch
- Non-perforated



\*NOTE: Logo imprint available on 54" and 48" size and only on pallet orders.

Part#	Description	Width	Length	Pallet	Lbs/Roll
MW24	Metal Wrap 24	24"	500'	10	14.60
MW48	Metal Wrap 48	48"	500'	20*	27.52
MW54	Metal Wrap 54	54"	500'	20*	30.79
MW48L	Metal Wrap 48 (With logo)	48"	500'	20	27.52
MW54L	Metal Wrap 54 (With logo)	54"	500'	20	30.79

**Metal Wrap** is designed to provide a temporary weather resistant barrier between the elements and a builder's metal roofing project. Protect your investment and promote your business at the same time and imprint your 2-color business logo on Metal Wrap 54 and 48 at no extra charge!

<b>Tear strength</b>	34 lbs. per square inch
<b>Thickness</b>	5.5 mil
<b>Fire rating</b>	Class A (ASTM E-94)
<b>Tensile strength</b>	High (ASTM D-882)
<b>Balanced Perm rating</b>	8 Perms (ASTM E-96)
<b>Logo imprint</b>	2 color, up to 500 square inches



## Product Index

Alco Shield™ .....	37
Butyl Tape.....	27
Closure Strips.....	28
Dek-Cap™ .....	26
Dek Screws.....	26
Dekstrip™ .....	26
Dekfast Washers.....	16
Driver Bits.....	16
Emseal® .....	27
Fastgrip™ #10 Hi-Lo.....	5
Fastgrip™ Stitch.....	5
Fastgrip™ #10 Hi-Lo MINI-DRILLER™ .....	5
Fastgrip™ #9 Stainless.....	6
Fastgrip™ #14 Galvanized.....	6
Fastvent™ Plus.....	29
Flovent® and Flovent® R120.....	30
Flat Head Deck Screws.....	13
Gutter Hangers.....	25
LoGrip™ .....	11
Metalgrip™ #3 w/washer.....	7
Metalgrip™ Stitch Screw w/ washer.....	7
Metalgrip™ #3 w/o washer.....	7
Metalgrip™ #5 w/washer.....	8
Metalgrip™ #4 w/o washer.....	8
Metalgrip™ #5 w/o washer.....	8
Metal Wrap.....	38
Paint Pen.....	15
Pancake Head Screws.....	12
Perform Vent.....	30
Pipe Flashing.....	33, 34





## Product Index

ProZ™ #10.....	9
ProZ™ #12 Stitch.....	9
ProZ™ SD #5.....	9
ProZ™ SD #1 Stitch.....	9
ProZ™ SD #3.....	10
ProCap™ #10.....	10
ProCap™ #12 Stitch.....	10
QuickLath™ .....	26
Rivets.....	15
ReGrip™.....	11
Roloshield™ Synthetic Roofing Underlayment.....	35,36
S-5!®.....	24
Screws with Wings.....	13
Snow Defender® 4500.....	18
Snow Defender® 85RF DECO™ .....	19
Snow Defender® 7500 DECO™ .....	20
Snow Defender® 6500.....	20
Snow Defender® PC240.....	21
Snow Defender® Buster.....	22
Snow Defender® 1500.....	23
Spring Nut Setter.....	16
Swenson Shear.....	25
Titebond® Sealant.....	31
Titebond® X-TREME Foam™ .....	31
Universal Closure.....	28
Uplift Plate™.....	32
Wafer Head Screws.....	14
Wedge Anchors.....	15
Zip Screws.....	14



# Terms & Conditions

## Terms of Payment

Net 30 days pending credit approval. Orders paid with a credit card will incur a 5% processing fee.

## Prices

Call for a price list. Prices are subject to change without notice.

## Returns

Returned products will be subject to a 15% restocking fee. All returns must be approved and in resale condition. Non-stock items are not refundable. Buyer is liable for return shipping costs.

## Freight Terms

FOB unless order qualifies for Free Shipping. Free Shipping on orders of \$2000.00 when order is predominantly fasteners, snow guards, roof boots, etc. Free Shipping on orders of \$3000.00 when order is predominantly closures or ridge vent.

Free shipping only applies to the lower 48 states. Non-stock items do not qualify for free shipping.

Accessorial charges such as Residential Delivery, Job Site Delivery, Delivery Appointment, Redelivery, Lift Gate, etc. may be added to the invoice or on a separate invoice without notice. Drop Shipments: all Drop Shipments are prepay and add to the invoice.

## Warranty

Levi's Building Components will replace any product that is found defective by Levi's Building Components within 180 days after original buyer invoice date unless otherwise stated per the product. See website for additional warranty information.

## Screws

Pricing is per 1000 pieces at 250 per bag. However, if not requested, screws may be sent in bulk.

## Broken Cartons

We ship faster and more efficiently with full carton orders. Broken cartons may delay this process. Add 25% for broken cartons on WeatherMaster™ sealant, Butyl Tape and Pipe Flashing (only black/gray EPDM and red/gray silicone).

## Snow Defender®

\$75.00 setup charge for custom colors not listed on snow guard color chart. Special order colors must be 500 pieces or more.

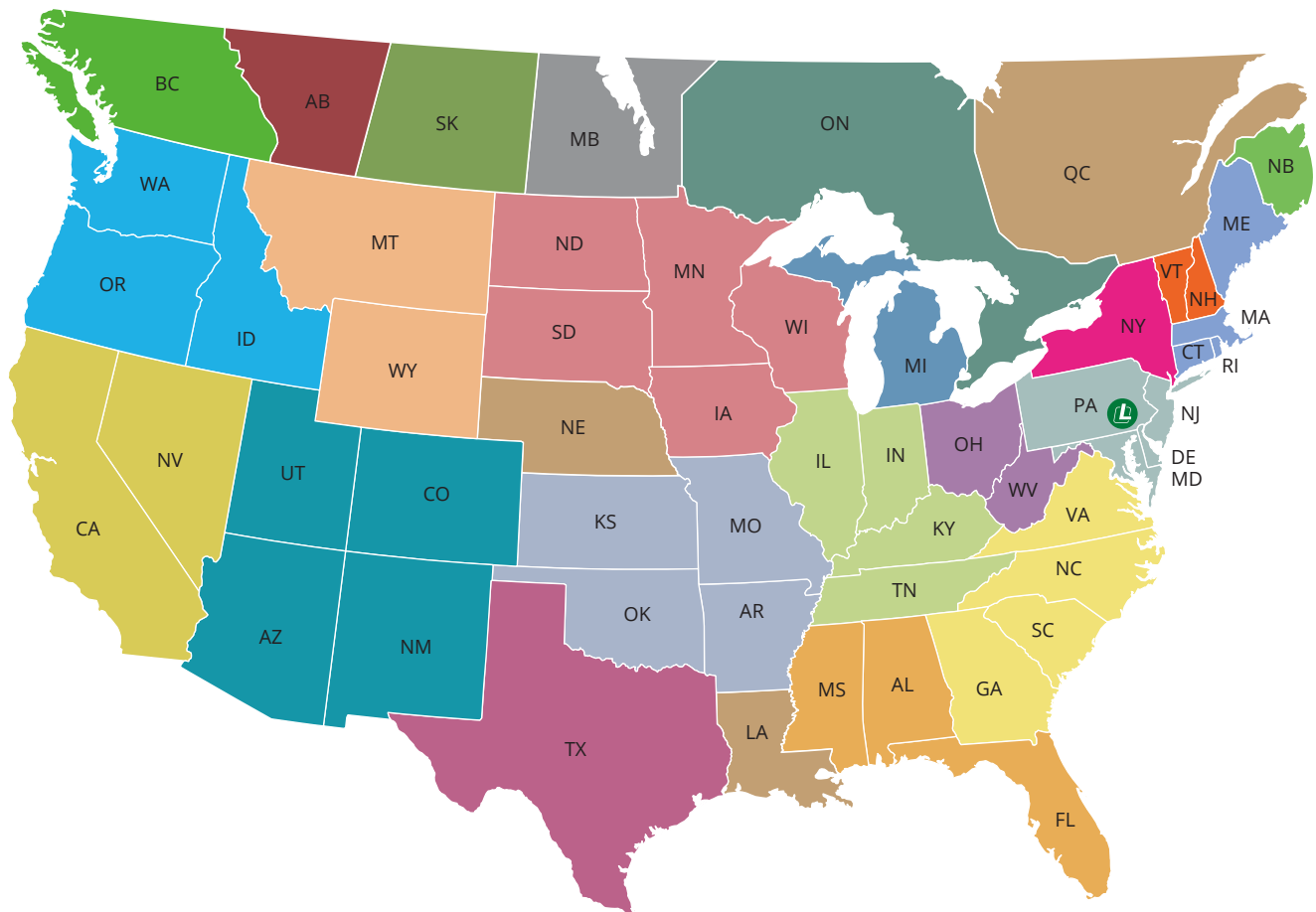
## Disclaimers

Weights shown are approximate. Information in catalog is subject to change without notice.



# Nationwide Coverage

***Meet Project Goals with  
Quick & Reliable Nationwide Delivery***



Visit [www.levisbuildingcomponents.com](http://www.levisbuildingcomponents.com) to interactively view this map and find your local sales representative.





137 Newport Rd. Leola, Pa 17540  
**(877) 897-7020**  
[www.snowguards.biz](http://www.snowguards.biz)  
[www.levisbuildingcomponents.com](http://www.levisbuildingcomponents.com)

**For Tomorrow**