

- Improves the welfare of your animal
- Features Dim-to-Calm™ technology
- 14W LED equivalent to 125W incandescent
- Fully dimmable daylight and nighttime modes
- Advanced system specialized for Swine†
- Low-profile, wide beam angle
- Built For Your Barn® design

\*Product shown with recommended junction box.  
\*\*Compatible with AgriShift® STC/STA Stringer.



AgriShift® lighting systems “shift” spectrum and intensity, meeting the individual needs of your animals†.



Dim-to-Calm™ technology provides daylight simulation and can act as a “service light” when fully dimmed.



A Built For Your Barn® design uses techniques and materials that withstand harsh barn environment for years to come.

## Animal-Centric Lighting Systems

The AgriShift® MLS is designed to evenly distribute light for both the swine herd and humans caring for them, while supporting bio-security measures of modern swine facilities. It is suitable for use in sow barns, gestation buildings, nurseries, gilt development units and finishing facilities.

The modular fixture features swine-specific Dim-to-Calm™ technology and a Built For Your Barn® design. It is easy to install and wet location rated, guaranteeing it will hold up to regular wash downs.

### The Science Behind the Technology

When completing your lighting system with an AgriShift® Controller or Slave Dimmer and ONCE® recommended lighting schedule, you provide animals with a natural sunrise/sunset simulation, reducing stress caused by sudden changes in light. The Dim-to-Calm™ technology fully dims to red, which swine perceive as darkness and allows the light to be used as a “service light” so workers can access the facility without disturbing sleep cycles.

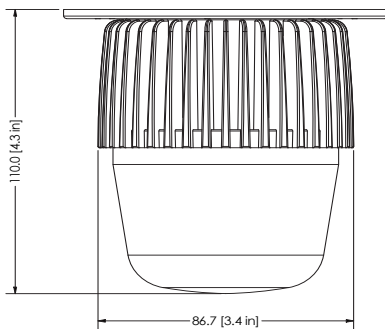


## AgriShift® MLS Specifications

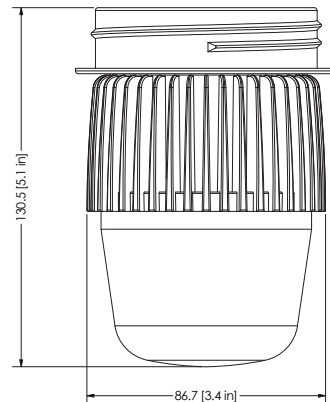
Nominal Power	14W (at full intensity)
Luminous Flux	1380 lm human photopic (120V) 1000 lm human photopic (230V)
Input Voltage	120 VAC / 60 Hz
Beam Angle	180°
Light Output Equivalence	Up to 125W incandescent
Spectral Output	Swine-specific full spectrum white
Operating Temperature	-20°C to 40°C / -4°F to 104°F
Dimmable Range	100% to 5%, dims to red hue
Dimmer Type	Phase Modulation or Amplitude Control**
Environmental Ratings	Suitable for damp locations, RoHS Compliant
Safety	Conforms to ANSI/UL STD 1598, Certified to Can/CSA STD. C22.2 NO. 250.0
Rated Life	50,000 hours

## AgriShift® MLS Mechanical Dimensions

Junction Box (JB)



Jelly Jar (JJ)



\*For optimum dimming performance use an AgriShift® Controller.

## Ordering Information

AgriShift® MLS 120V	SKU
Base Unit Mount (BU)	MLS-FSWR-BU-180-014-120
Junction Box Mount (JB)	MLS-FSWR-JB-180-014-120
<i>Includes JB adapter/connector kit</i>	
Jelly Jar Mount (JJ)	MLS-FSWR-JJ-180-014-120
<i>Includes JJ adapter/connector kit</i>	

AgriShift® MLS 230V	SKU
Base Unit Mount (BU)	MLS-FSWR-BU-180-014-230
Junction Box Mount (JB)	MLS-FSWR-JB-180-014-230
<i>Includes JB adapter/connector kit</i>	
Jelly Jar Mount (JJ)	MLS-FSWR-JJ-180-014-230
<i>Includes JJ adapter/connector kit</i>	

AgriShift® MLS Accessories	SKU
AgriShift® G Controller	ALC-G2S-UNAC-2-10
AgriShift® Master Controller 120V	30-014-00178-L123
AgriShift® Slave Dimmer 120V	30-014-00179-L123
AgriShift® Master Controller 240V	30-014-00180-L123
Junction Box	PRB57550GY
<i>4 of the 5 KO openings are sealed, openings are 3/4"</i>	
Junction Box Cover	PRB575GYKO

# Complete Your AgriShift® Lighting System: AgriShift® G Controller

- Improves animal welfare
- Offers several advanced features, adding flexibility
- Eliminates lighting anomalies to increase production
- Universal input power

The AgriShift® G Controller is a slave dimmer that provides full potential to any ONCE® AC lighting fixture. It offers smooth dimming solutions that can easily be controlled by two separate 0-10 VDC control signals and several advanced features, giving added flexibility while addressing the complex needs of today's modern agriculture facilities.

