



Improper installation methods of the hardware may cause permanent damage and possible breakage of the boot.

Boot and Transfer Plate Installation

NOTE: Installation of the boot is the same whether the tank has the standard collar or the Sure-Flo Feed Flow Control.

Slide the boot as far as possible into the tank collar or the Sure-Flo Feed Flow Control opening. (See Figure 1.) Align the boot with the Flex-Flo System that will be installed. Using the holes in the collars for guides, drill eight (8) 11/32" holes into the boot rim. (See Figure 2.)

Mount the boot to the collar with the hardware provided. Bolt the Transfer Plate and Unloader Braces to the Boot as shown. See Figure 3 for proper usage and assembly direction of hardware for mounting the boot and the Transfer Plate. All connections should be tightened until they are "snug".

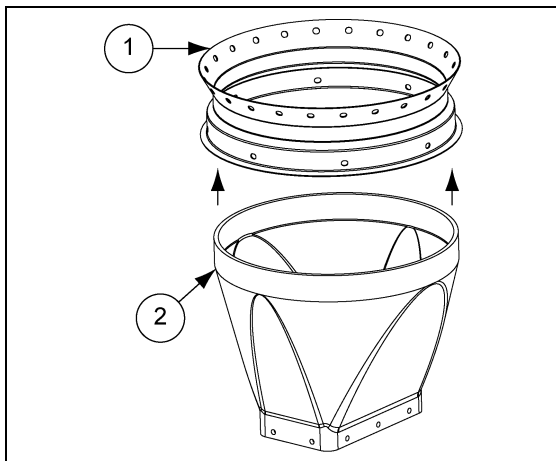


Figure 1

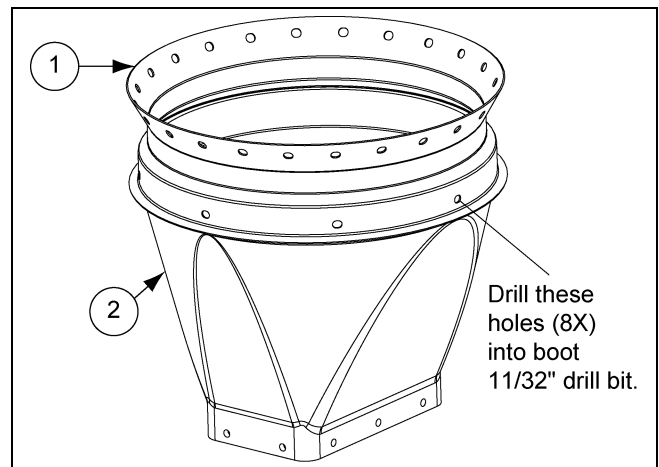


Figure 2

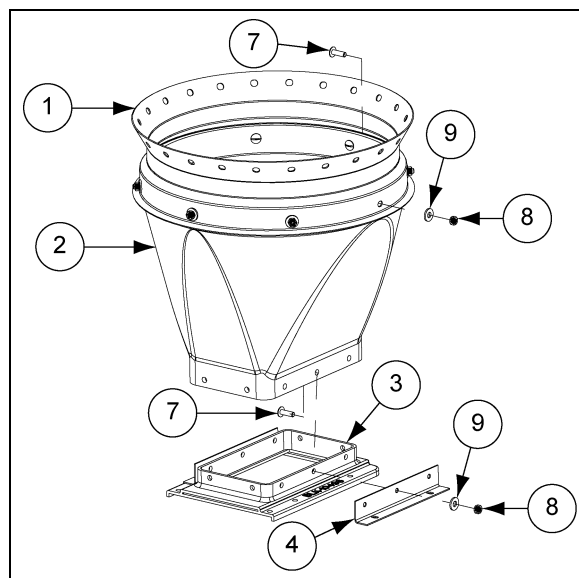


Figure 3



Slide Gate Installation

Insert the slide into the transfer plate. The slide must be in its operating position prior to attaching the slide shield to the transfer plate. Use two (2) 5/16"-18 x 1" truss head tap bolts to mount the slide shield.

(See Figure 4.)

Bolt unloader to transfer plate/unloader brace assembly as shown in Figure 5. Note orientation of these bolts. (See Figure 5.)

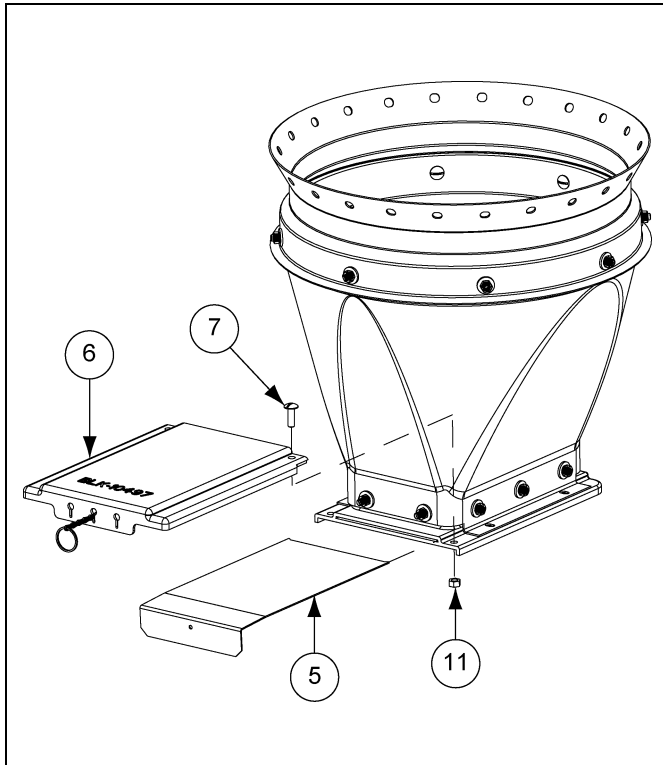


Figure 4

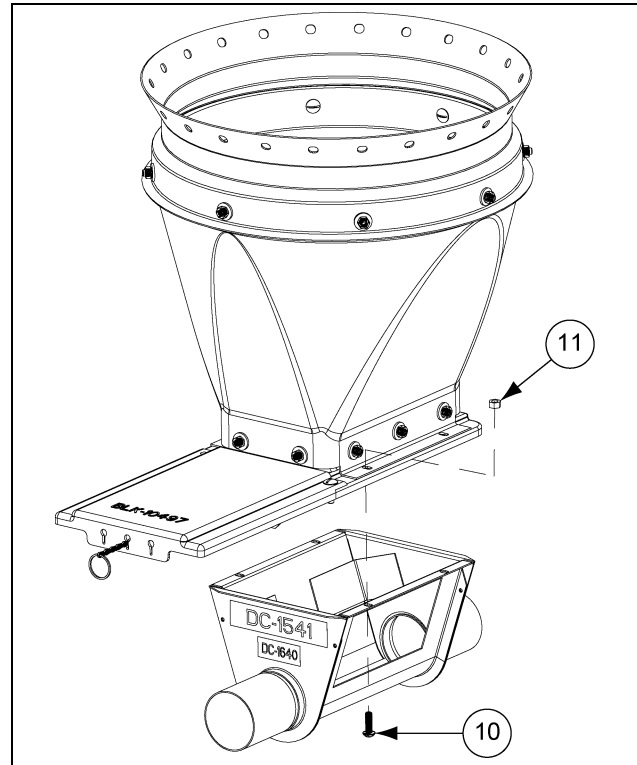


Figure 5

Ref #	Part #	Description
1	BLK-10488	16" 67° 16" Hopper Collar (24 Holes)
1	BLK-10489	16" 60° Hopper Collar (24 Holes)
1	BLK-11463	16" 60° Hopper Collar (27 Holes)
1	BLK-12342	16" 60° Hopper Collar (18 Holes)
2	FLX-2194	16" 30° Black Plastic Boot
2	FLX-2194C	16" 30° Clear Plastic Boot
2	FLX-2195	16" Straight Black Plastic Boot
2	FLX-2195C	16" Straight Clear Plastic Boot
2	FLX-4869	16" Double Straight Black Plastic Boot
3	BLK-10496	Transfer Plate
4	FLX-4819	Unloader Brace
5	FLX-4782	Slide Gate
6	BLK-10497	Slide Gate Shield
7	S-4336	5/16" x 1" Truss Head Machine Screw
8	S-4337	5/16"-18 Nylon Nut
9	S-4338	5/16" Nylon Washer
10	S-8328	Screw MS 5/16"-18 x 1" RHS ZN Grade 2
11	S-396	Hex Nut 5/16"-18 YDP Grade 2

Inspection/Clean-out Plate Installation

Once the installation of the auger tubes and auger is complete, insert the inspection/clean-out plate or the optional unloader switch.

The inspection/clean-out plate is to be installed per the following instructions (*See Figure 6*):

1. Back off both wing nuts to the stud ends.
2. Slide the plate onto the lower side of the unloader opening.
3. Move the plate first against the side of the unloader then upward toward the top of the unloader.
4. Tighten the wing nuts while holding the plate steady.

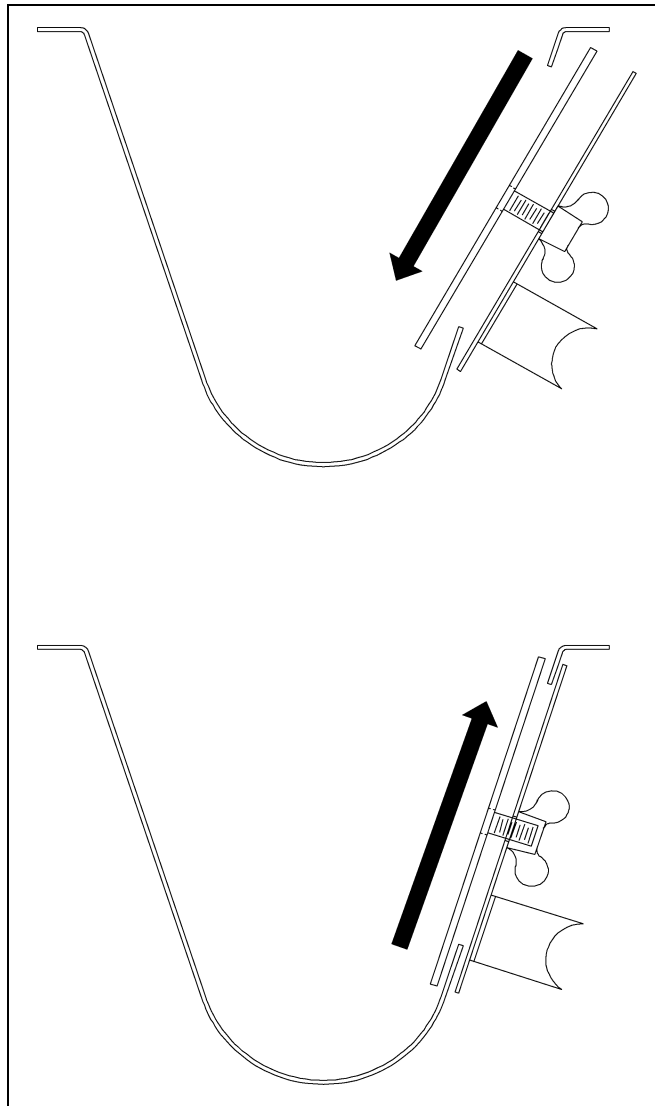


Figure 6 *Clean-out Plate Installation*

Model 300 and 350 Boot and Unloader Assembly

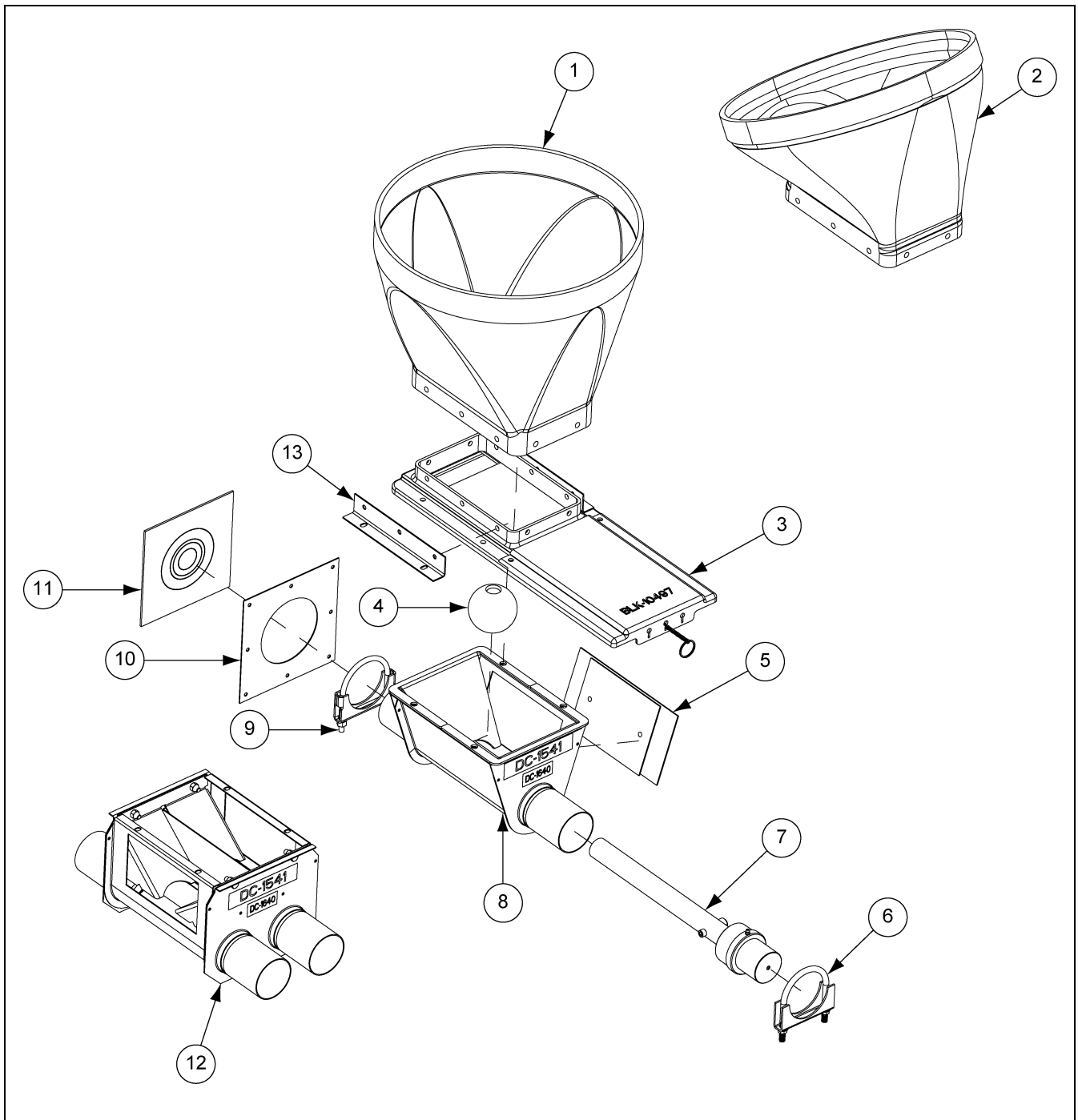


Figure 7

Flex-Flo Feed Delivery Systems Model 300 and 350

Model 300 and 350 Boot and Unloader Assembly Parts List

Ref #	Model 300		Model 350	
	Part #	Description	Part #	Description
1	FLX-2195	16" Straight Black Plastic Boot	FLX-2195	16" Straight Black Plastic Boot
1	FLX-2195C	16" Straight Clear Plastic Boot	FLX-2195C	16" Straight Clear Plastic Boot
2	FLX-2194	16" 30° Black Plastic Boot	FLX-2194	16" 30° Black Plastic Boot
2	FLX-2194C	16" 30° Clear Plastic Boot	FLX-2194C	16" 30° Clear Plastic Boot
N/S	FLX-4849	16" Double Straight Black Plastic Boot	FLX-4849	16" Double Straight Black Plastic Boot
3	BLK-11137A	Transfer and Slide Gate Kit	BLK-11137A	Transfer and Slide Gate Kit
4	00404238	Iron Ball 3" Hollow - 1-1/2 #	00404238	Iron Ball 3" Hollow - 1-1/2 #
5	FLX-4239	Clean-out Plate Assembly	FLX-4239	Clean-out Plate Assembly
6	S-4320	3" Tube Clamp	S-4319	3-1/2" Tube Clamp
7	FLX-4648	M-300 Anchor and Bearing Assembly	FLX-4650	M-350 Anchor and Bearing Assembly
8	FLX-4669	Model 300 Flex-Flo Single Through Unloader Body Assembly	FLX-2053	Model 350 Flex-Flo Single Through Unloader Body Assembly
9	S-9186	3-1/4" Tube Clamp	S-4443	4" Tube Clamp
10	FLX-2217	Model 220, 300, 350 Flex Seal Ring	FLX-2217	Model 220, 300, 350 Flex Seal Ring
11	FLX-3422	Neoprene Seal	FLX-3422	Neoprene Seal
12	FLX-4671B	Model 300 Flex-Flo Twin Through Unloader Body Assembly	FLX-2116B	Model 350 Flex-Flo Twin Through Unloader Body Assembly
13	FLX-4819	Unloader Brace	FLX-4819	Unloader Brace

Restrictor Adjustment

The restrictor may be adjusted to allow for more feed flow. To modify the restrictor, remove it and the bearing assembly from the unloader. Cut one inch (1") of the restrictor and test the feed flow. If the feed flow rate is not obtained, repeat the above procedure until the desired rate is reached. (See Figure 8.)

IMPORTANT: Do not modify the restrictor until the system is completely operational and the auger has polished the inside of the tubing.

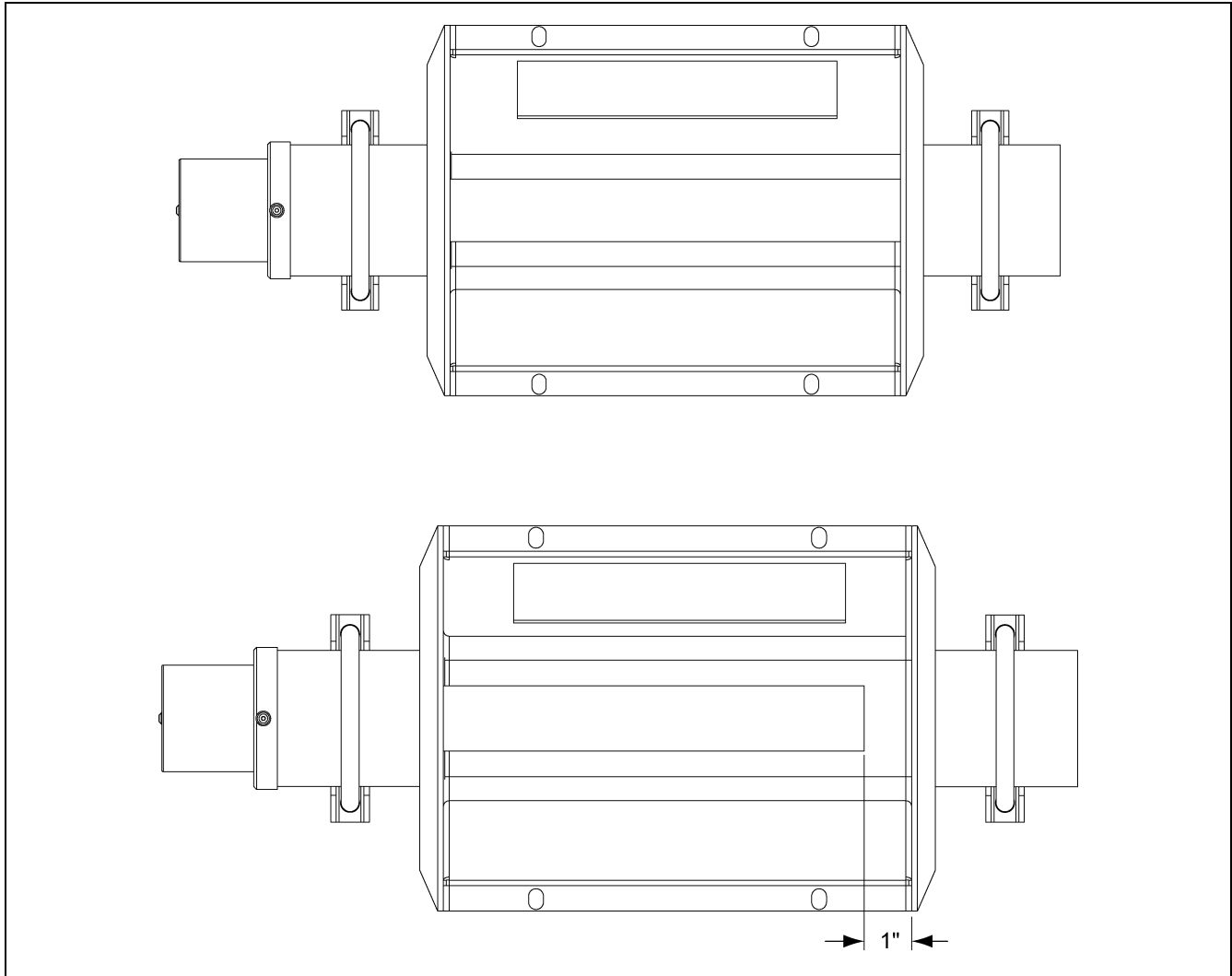


Figure 8